

Molteni & C

ALDGATE — RODOLFO DORDONI 2022

1—
4



Molteni&C broadens its range of beds with a sophisticated and elegant proposal by Rodolfo Dordoni. The cooperation with the Milanese designer has led to Aldgate, a bed conceived as an island devoted to rest and relaxation. Designed as an isolated element, totally autonomous and self-sufficient, able to fit in with all kinds of bedroom furniture, Aldgate presents carefully designed details and soft, delicate and snug lines. Its heart is a container with rounded edges, upholstered in textiles or in leather and with sartorial finishes, embellished by a surrounding pewter colour frame that incorporates the bed, which can be positioned at different heights, and the rectangular backrest that recalls a monumental access road to the city. That too is rounded and it features two comfy cushions to lean back on. A bench to be placed at the foot of the bed completes the project.

In case of customer slatted base and/or mattress, check the correspondence of the measurements with the standard ones in the price list.



This symbol shows that the product has removable upholstery. Only qualified personnel can remove the upholstery of some of our products. If this information is pertinent, it will be included in the warnings section.



This symbol shows that the product is available on request in a fire resistant version that complies with the standards BS 5852 and TB 117-2013. The buyer is responsible for checking to make sure that the product is suitable and compliant with the requirements for the designated use and the current applicable laws and standards for the destination and use of the product.

DATASHEET

REGISTERED
DESIGN

IX.2022

moltenigroup.com

Dimensions in centimeters and inches. The right to discontinue and make changes is reserved. This information is based on the latest product information available at the time of printing.

FINISHES

GROSGRAIN FINISHES

anthracite
dark brown

BED AND BENCH
PROFILE FINISHES
glossy pewter colour

BED FEET FINISH
black

BENCH FEET FINISH
black nickel

Molteni & C

TECHNICAL INFORMATION

BED TECHNICAL INFORMATION

HEADBOARD

Structure in solid spruce (Picea Abies) and medium density fibreboard panels. Polyurethane foam padding with high bearing capacity. Cover in bonded velveteen, cotton and polyester fibre.

HEADBOARD CUSHIONS

Medium density fibreboard panel with polyurethane foam padding with high bearing capacity. Cover in bonded velveteen, cotton and polyester fibre.

BED SURROUND

Frame in medium density fibreboard panel with polyurethane foam padding. Cover in bonded velveteen, cotton and polyester fibre. Painted extruded aluminium lower perimeter profiles.

FEET

Steel with floor slides in non-slip plastic.

MATTRESS-BASE SPACER

Plastic material.

BENCH TECHNICAL INFORMATION

BENCH TOP

Medium density fibreboard panel with polyurethane foam padding with high bearing capacity. Cover in bonded velveteen, cotton and polyester fibre. Painted extruded aluminium lower perimeter profiles.

BENCH FEET

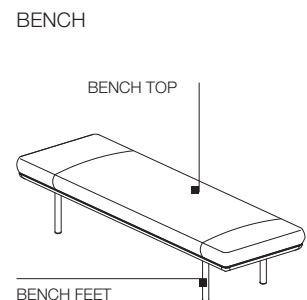
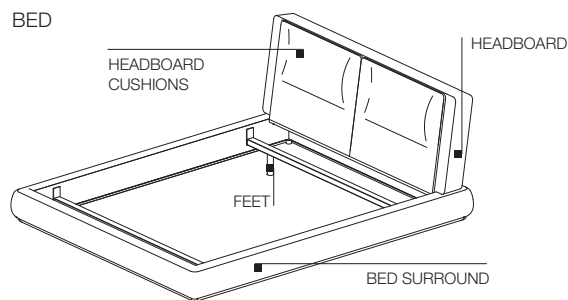
Aluminium with floor slides in non-slip plastic.

REMOVABLE OUTER COVER

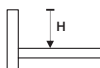
(See enclosed label, specific for the cover in question).



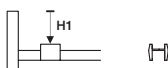
AVAILABLE IN FIRE-RESISTANT
VERSION TB117 AND BS5852



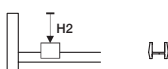
WITHOUT SPACER



WITH SPACER (1)



WITH SPACER (2)



Mattress-base height adjustment

without spacer H 11,5
with spacer (1) H1 9,5
with spacer (2) H2 7,5

DATASHEET

REGISTERED
DESIGN

IX.2022

DIMENSIONS

Notes

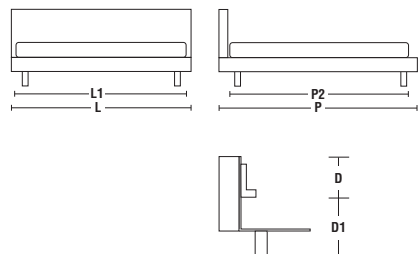
► One is the bed (bed surround and headboard) and the other is the headboard cushions. In this way it is possible to customise Aldgate with single-colour coverings or by matching the bed structure with headboard cushions in a different finish.

Aldgate cannot be produced without the headboard cushions.

► Depth of 210 cm (82 3/4") (inner measurement) is also available on ALT16 - ALT17 - ALT18 - ALT20.

► **Electric slatted bases may be used.**

► The Aldgate upholstery is sewn with a Grosgrain insert to highlight the bed design.



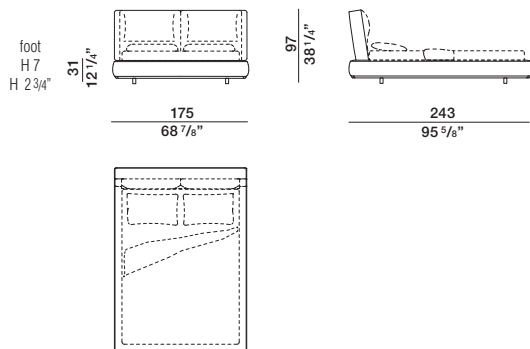
	INNER DIMENSIONS		OUTER DIMENSIONS		D / D1 Space for insertion of the slatted base
	L1 Width	P2 Length	L Width	P Length	
ALTQS	155 61"	205 80 3/4"	175 68 7/8"	243 95 5/8"	
ALT16	160 63"	200 78 3/4" standard model *	180 70 7/8"	238 93 3/4" standard model *	7,5 / 23,5 3" / 9 1/4"
ALT17	170 66 7/8"	200 78 3/4" standard model *	190 74 3/4"	238 93 3/4" standard model *	9,5 / 21,5 3 3/4" / 8 1/2"
ALT18	180 70 7/8"	200 78 3/4" standard model *	200 78 3/4"	238 93 3/4" standard model *	11,5 / 19,5 4 1/2" / 7 5/8"
ALT20	200 78 3/4"	200 78 3/4" standard model *	220 86 5/8"	238 93 3/4" standard model *	
ALTKS	195 76 3/4"	205 80 3/4"	215 84 5/8"	243 95 5/8"	

* 210 on request 82 3/4" * 248 on request 97 5/8"

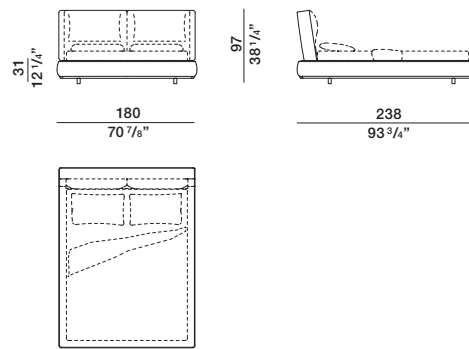
3—
4

bed taking a single slatted base or 2 individual slatted bases

ALTQS

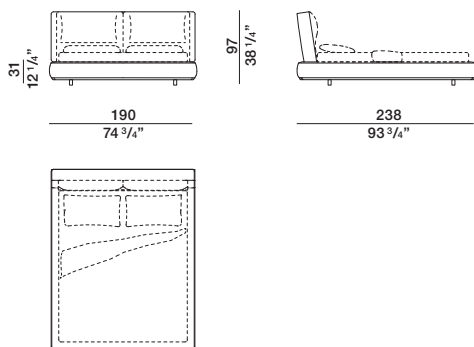


ALT16

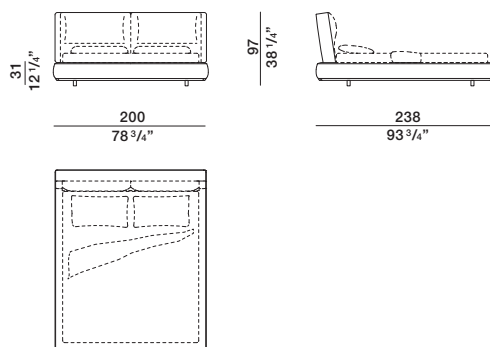


bed taking a single slatted base or 2 individual slatted bases

ALT17

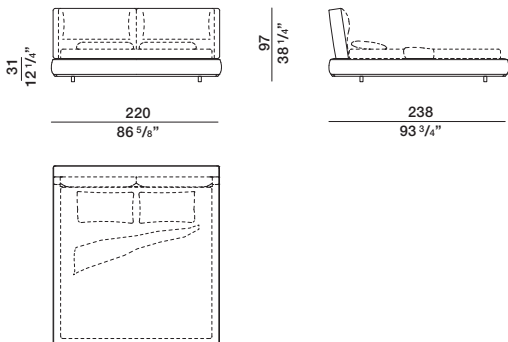


ALT18

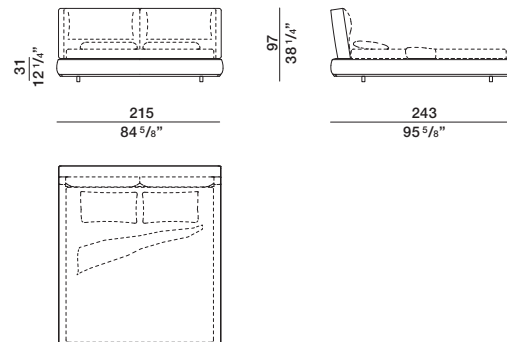


bed taking a single slatted base or 2 individual slatted bases

ALT20



ALTKS



DATASHEET

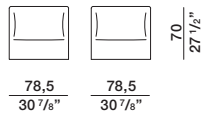
REGISTERED
DESIGN

IX.2022

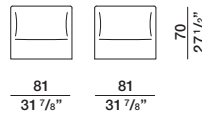
DIMENSIONS

pair of headboard cushions

ACTQS

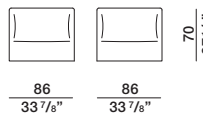


ACT16

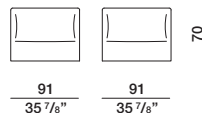


pair of headboard cushions

ACT17

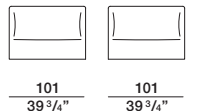


ACT18

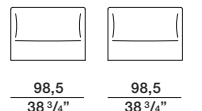


pair of headboard cushions

ACT20

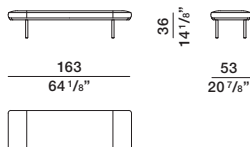


ACTKS



bench

CPN1



DATASHEET

REGISTERED
 DESIGN

IX.2022