

Molteni & C

GILLIS — VINCENT VAN DUYSSEN 2019

1—
2



A small, low armchair, designed mainly for the hospitality sector, in hotel lobbies, bedrooms, lounges and bars, but also in the home as an occasional armchair set alongside impressive sofas. Classic frame made entirely of wood, where the backrest also acts as an armrest. The structural seat and backrest function is performed by hide leather straps that guarantee perfect comfort by adapting ergonomically to the body. Seat and backrest are complete with comfortable cushions covered in textiles or leather chosen from the wide range of the Molteni&C collections.



This symbol shows that the product has removable upholstery. Only qualified personnel can remove the upholstery of some of our products. If this information is pertinent, it will be included in the warnings section.



This symbol shows that the product is available on request in a fire resistant version that complies with the standards BS 5852 and TB 117-2013. The buyer is responsible for checking to make sure that the product is suitable and compliant with the requirements for the designated use and the current applicable laws and standards for the destination and use of the product.

DATASHEET

REGISTERED
DESIGN

IX.2022

moltenigroup.com

Dimensions in centimeters and inches. The right to discontinue and make changes is reserved. This information is based on the latest product information available at the time of printing.

FINISHES

STRUCTURE FINISHES

ash stained eucalyptus

BONDED HIDE LEATHER FINISHES

ivory - dark brown - natural - mud green - dove grey - black

TECHNICAL INFORMATION

STRUCTURE

Stained solid ash wood (Fraxinus excelsior) with bonded hide leather bearing straps.
Plastic feet tips.

SEAT AND BACK CUSHIONS

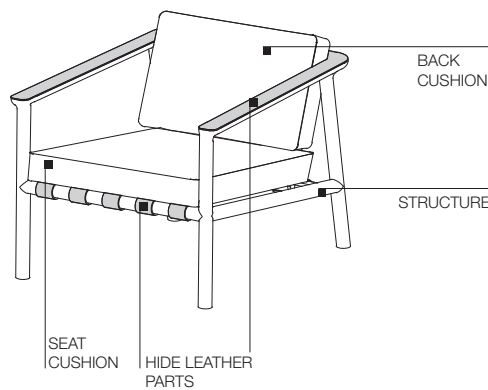
Differentiated density polyurethane with high bearing capacity, and filler in polyester fibre material covered with bonded cotton and polyester fibre.

Bonded hide leather elements NON-removable armrests.

Bonded hide leather elements removable and replaceable structure.



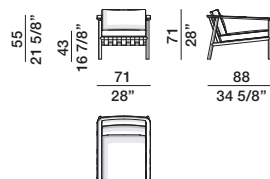
AVAILABLE IN FIRE-RESISTANT
VERSION TB117 AND BS5852



DIMENSIONS

armchair

GPOL1



DATASHEET

REGISTERED
DESIGN

IX.2022

code	gross weight kg.	volume mc.	packages
GPOL1	21,5	0,6	1