

Molteni & C

AZUL — NICOLA GALLIZIA 2020

1—
4



Exquisite details and delicate but clear lines contribute to the fascination and emotions aroused by this decidedly contemporary design. The surprising aesthetic balance is achieved by reducing the superfluous and by the well-proportioned construction of the individual component parts. Two sheets of bonded hide leather sewn together or with fabric or leather upholstery, the result of refined workmanship, elegantly enrich the lines. The surface of the bed comes in two heights plus the option of an extra storage compartment underneath, Azul reinvents the image of the bedroom, proposing a new way of sleeping, a synthesis of Nicola Gallizia's styling skills and Molteni&C's flair for innovation.

In case of customer slatted base and/or mattress, check the correspondence of the measurements with the standard ones in the price list.

For the versions with lifting base, please consider a mattress weight limit of 45 kg.



This symbol shows that the product has removable upholstery. Only qualified personnel can remove the upholstery of some of our products. If this information is pertinent, it will be included in the warnings section.



This symbol shows that the product is available on request in a fire resistant version that complies with the standards BS 5852 and TB 117-2013.

The buyer is responsible for checking to make sure that the product is suitable and compliant with the requirements for the designated use and the current applicable laws and standards for the destination and use of the product.

DATASHEET

REGISTERED
DESIGN

IX.2022

moltenigroup.com

Dimensions in centimeters and inches. The right to discontinue and make changes is reserved. This information is based on the latest product information available at the time of printing.

FINISHES

FEET FINISHES

matt black (fixed version)
shiny chrome (version with container)

BONDED HIDE LEATHER FINISHES

ivory
black
dark brown
natural
mud green
dove grey

TECHNICAL INFORMATION

HEADBOARD

Hot-welded metal frame, cold-moulded polyurethane foam padding with cover in cotton/polyester fibre.

FIXED BED SURROUND VERSION

Metal frame with polyurethane foam padding. Cover in bonded velveteen.

BED SURROUND CONTAINER VERSION

Metal frame with foam rubber padding. Cover in bonded velveteen. Chipboard border panels with melamine faced interior and matt black lacquer exterior.

FIXED FEET VERSION

Laser-cut, hot-welded and painted steel. Ferrules in non-slip plastic.

FEET CONTAINER VERSION

Chromed steel with non-slip felt pads.

BOTTOMS (FOR CONTAINER UNDER THE SLATTED BASE)

Wood particle board with melamine finish and nylon positioning handles.

REMOVABLE EXTERNAL COVER

(See attached label, specific for the cover).

In the bonded hide leather version, the headboard cover is not removable.

SLATTED BASE

Metal frame with wooden slats and double pump raising mechanism with two positions.

BENCH

Structure: Frame in hot-welded steel with non-slip plastic ferrules.

Seat: Medium density fibre panel with polyurethane padding and cotton/polyester fibre cover.

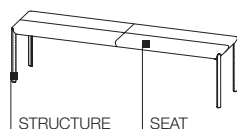
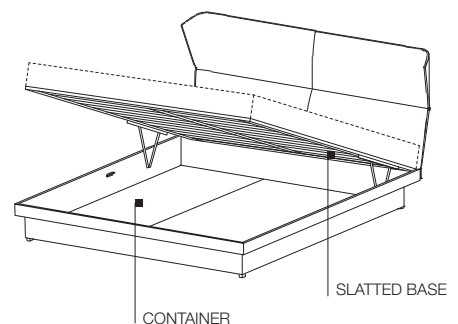
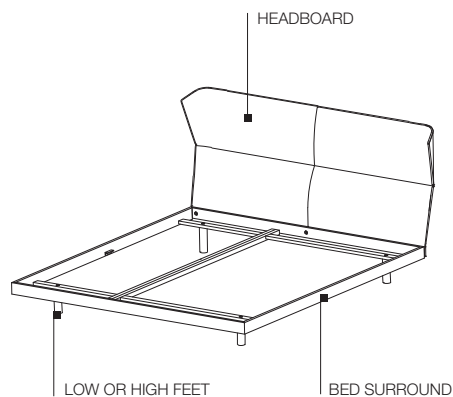
Completely removable bonded hide leather cover.



UPHOLSTERY
REMOVABLE FABRIC/LEATHER
BONDED HIDE LEATHER VERSION
HEADBOARD UPHOLSTERY
IS NOT REMOVABLE



AVAILABLE IN FIRE-RESISTANT
VERSION TB117 AND BS5852



DATASHEET

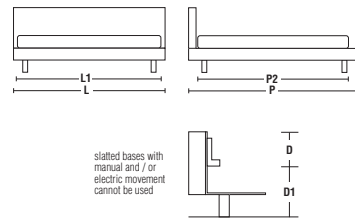
REGISTERED
DESIGN

IX.2022

DIMENSIONS

Notes

- ▶ Depth of 210 cm (82 3/4") (inner measurement) is also available on ALO16A-B - ALO17A-B - ALO18A-B.
- ▶ Double single fixed slatted bases can be inserted into beds ALO16 - ALO17 - ALO18.
- ▶ The structure of the bed frame can be disassembled (with the exception of the container version).
- ▶ Slatted bases with manual and / or electric movement cannot be used.



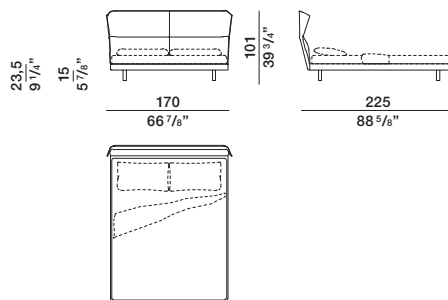
	INNER DIMENSIONS		OUTER DIMENSIONS		D / D1 Space for insertion of the slatted base
	L1 Width	P2 Length	L Width	P Length	
ALOQSB-QSA	153,4 60 3/8"	204 80 3/8"	170 66 7/8"	225 88 5/8"	
ALO16B-16A	160 63"	200 78 3/4" <small>standard model *</small>	177 69 5/8"	221 87" <small>standard model *</small>	low foot 5,5 / 18,5 2 1/8" / 7 1/4"
ALO17B-17A-17C	170 66 7/8"	200 78 3/4" <small>standard model *</small>	187 73 5/8"	221 87" <small>standard model *</small>	
ALO18B-18A-18C	180 70 7/8"	200 78 3/4" <small>standard model *</small>	197 77 1/2"	221 87" <small>standard model *</small>	high foot 5,5 / 24,5 2 1/8" / 9 5/8"
ALOKSB-KSA	193,4 76 1/8"	204 80 3/8"	210 82 3/4"	225 88 5/8"	

* **210** on request 82 3/4" excluding 17C and 18C
* **231** on request 91" excluding 17C and 18C

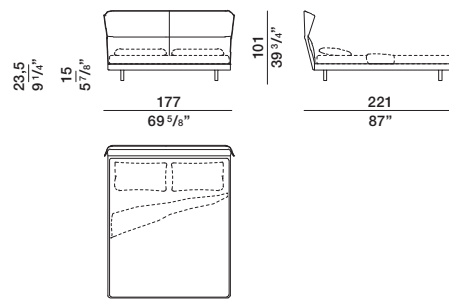
LOW FOOT

bed taking a single slatted base
or 2 individual slatted bases

ALOQSB

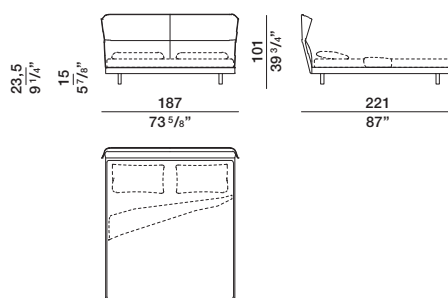


ALO16B

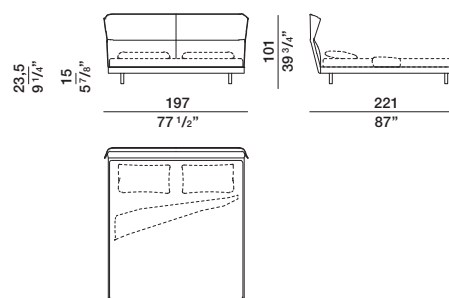


bed taking a single slatted base
or 2 individual slatted bases

ALO17B

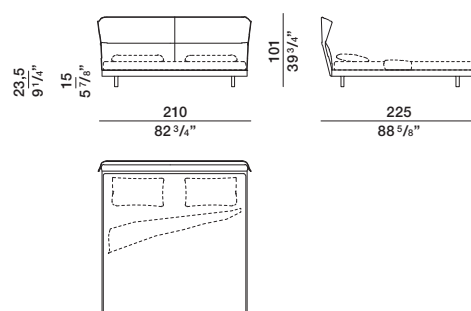


ALO18B



bed taking a single slatted base
or 2 individual slatted bases

ALOKSB



DATASHEET

REGISTERED
DESIGN

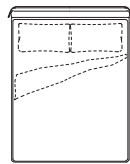
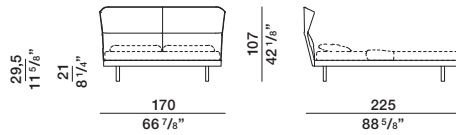
IX.2022

DIMENSIONS

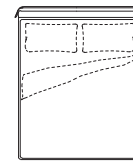
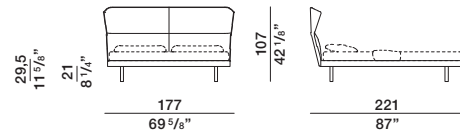
HIGH FOOT

bed taking a single slatted base
or 2 individual slatted bases

ALOQSA

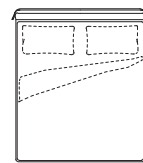
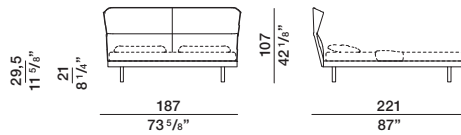


ALO16A

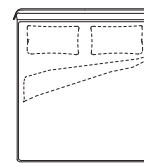
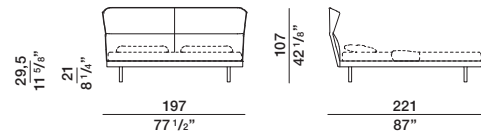


bed taking a single slatted base
or 2 individual slatted bases

ALO17A

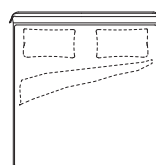
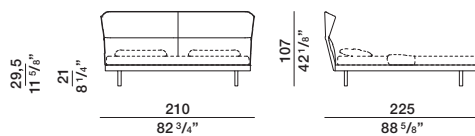


ALO18A



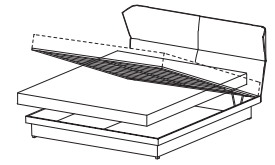
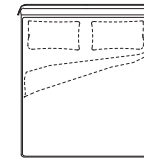
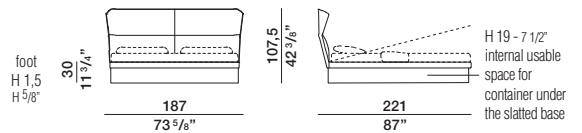
bed taking a single slatted base
or 2 individual slatted bases

ALOKSA



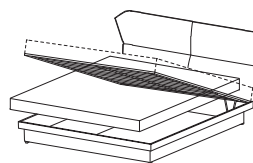
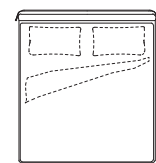
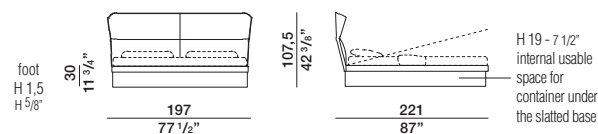
double bed with slatted base and
container under the slatted base

ALO17C



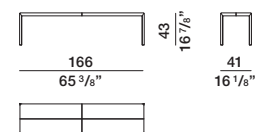
double bed with slatted base and
container under the slatted base

ALO18C



bench

APN01



DATASHEET

REGISTERED
DESIGN

IX.2022