

Molteni & C

ARIAL — STUDIO KLASS 2024

1—
31



Elegant sophisticated enhancement of every design solution is a recurring practice in the meticulous approach taken by Studio Klass. The new Aerial panelling and door system is presented as a refined way of dressing interiors with poetry, a decorative art steeped in timeless elegance. Design is curated by Studio Klass, which has always been recognised for its commitment to ensuring constant dialogue between design, art, and contemporary culture. This complete system of panelling and doors enables totally bespoke interiors, for settings where high-level carefully conceived decor is appreciated. Aerial clearly intends to communicate the magnificence and beauty of its surroundings, prioritising the comfort and wellbeing of those who live the Molteni&C experience.

DATASHEET

REGISTERED
DESIGN

2025

moltenigroup.com

Dimensions in millimeters and inches. The right to discontinue and make changes is reserved. This information is based on the latest product information available at the time of printing.

INTRODUCTION

The Arial system consists of vertical profiles for wall attachment and covering panels, available in different finishes and sizes. Combining the different panels allows for the development of customised solutions up to a maximum height of 4500 mm. The covering panels can be customised in width for any design requirement. All designs will be assessed by the Molteni&C Technical Department for feasibility and will only be produced after receipt of the order confirmation signed by the customer.

Measuring, correct submission of the measurements and assembly are the customer's responsibility. Before assembly, check the suitability of the wall where the Arial system will be installed. Installers must ensure they use the correct type of mounting bolts or anchoring system for the wall.

* (Not available with upper covering panel)

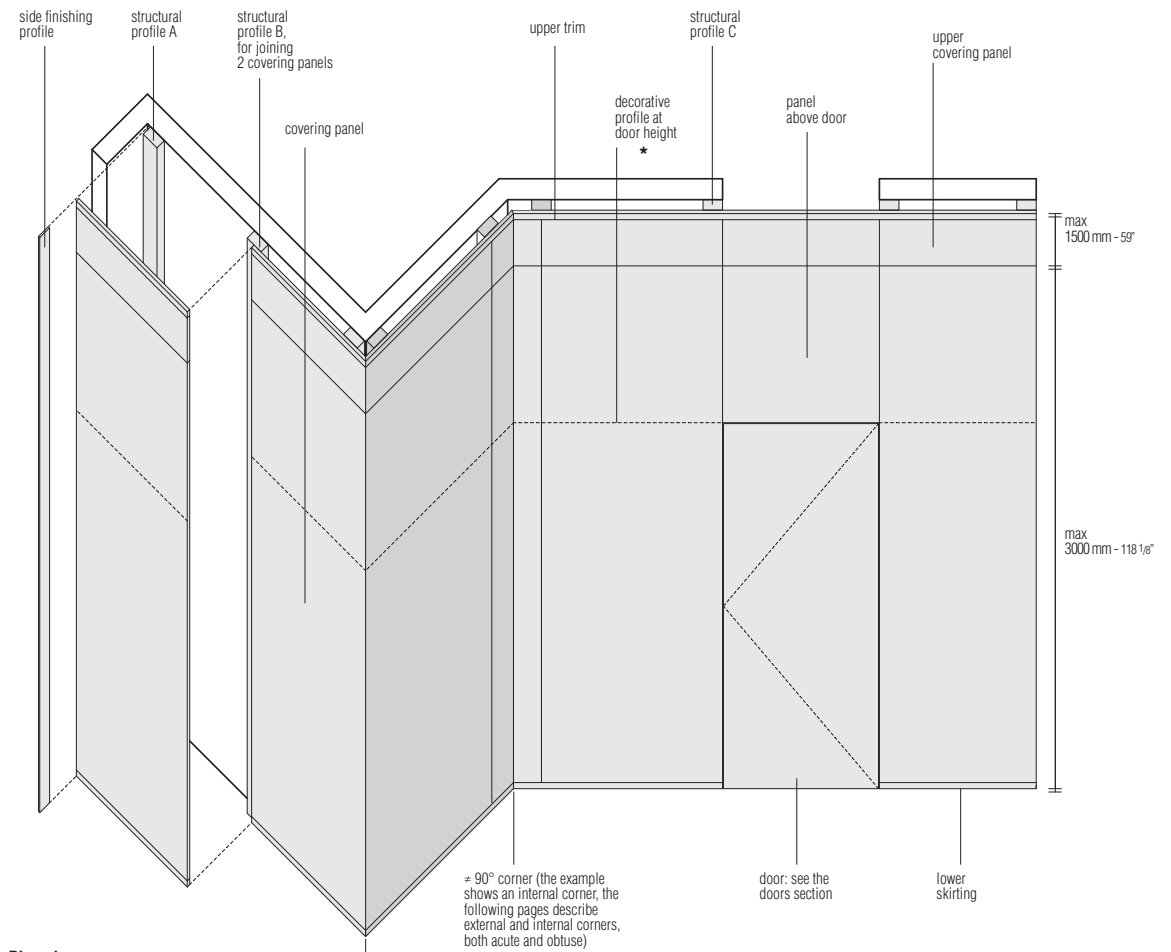
Warning:

For MDi by Inalco and mirror finishes, the panelling must always have a trim. Neither the modularity of the MDi by Inalco covering panel or the single door opening must be greater than 950 mm.

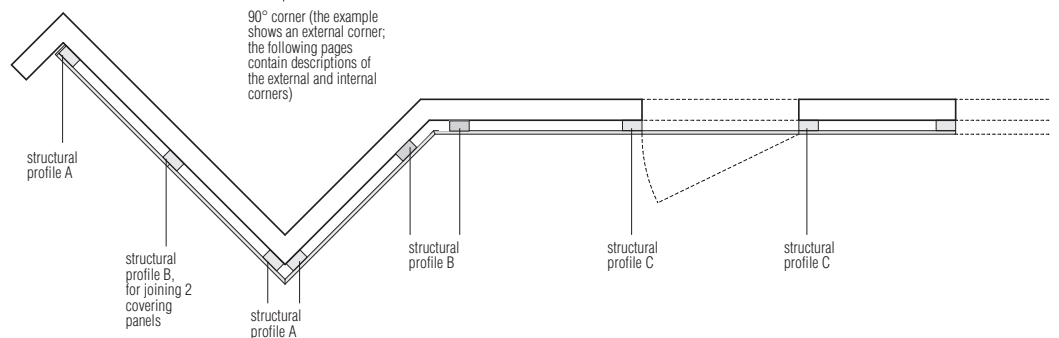
Molteni&C

Axonometric view

2—
31



Plan view



DATASHEET

REGISTERED
DESIGN

2025

FINISHES

finishes		natural aluminium	pewter colour/iris	matt lacquer	wood	Blend fabric	glossy lacquer	MDi by Inalco	mirror
components									
structural profile		●							
horizontal / vertical finishing profiles			●						
lower skirting / upper trim			●						
covering panels				●	●	●		●	●
door th 60	internal cover			●	●	●	●		
	external cover			●	●	●	●		
jamb				●	●	●	●		
architraves				●	●	●	●		
doorway	side panels th 40			●	●		●	●	
	door and front panel th 50			●	●		●	●	
door th 60	covers							●	●
	profiles		●						

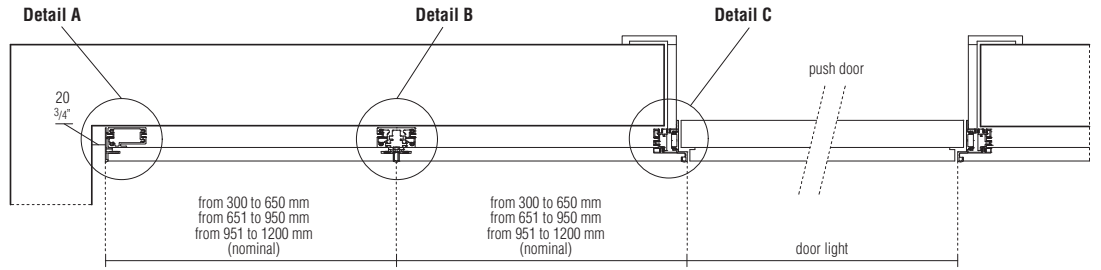
colours	Matt lacquers / Glossy lacquer	Wood (always with vertical grain)	Blend fabric	Other Molteni&C Wood options (always with vertical grain)	MDi by Inalco
	BC chalk white PE pearl DN dune PL platinum NE black AT anthracite SE mustard SI silica DO dolomite grey AL clay MK moka CZ light blue grey SA sand RU ruby PX pewter colour RX copper TO dove grey PR petroleum blue BG burgundy LS london sky SU stardust ML moonlight SP spice PG pine green AW almond white IX iris CP cappuccino FG forest green DB dark blue gray OY oz yellow L001 white L006 light grey L063 lead	RF graphite oak RN black oak RC coffee oak RS sunrise oak	Vanilla Moss green Olive green Bark brown Malachite Hay Moon Storm River rocks	EU eucalyptus RT thermo oak consider supplementary charge +30%	gray brown merino white

DATASHEET

REGISTERED
DESIGN

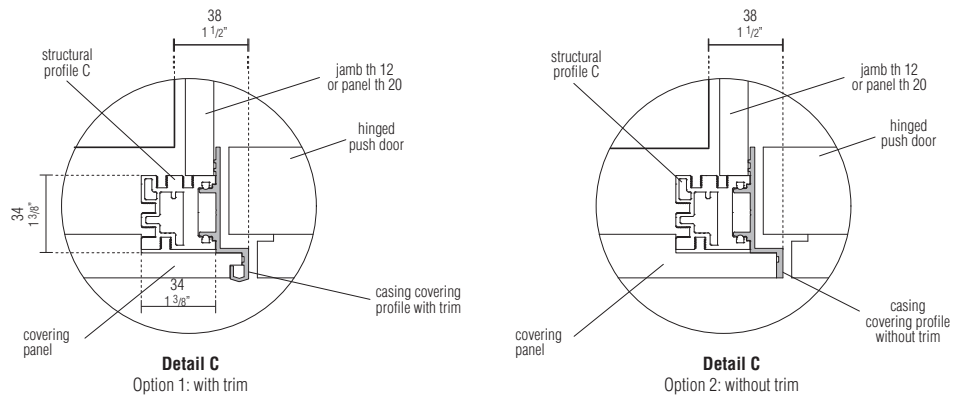
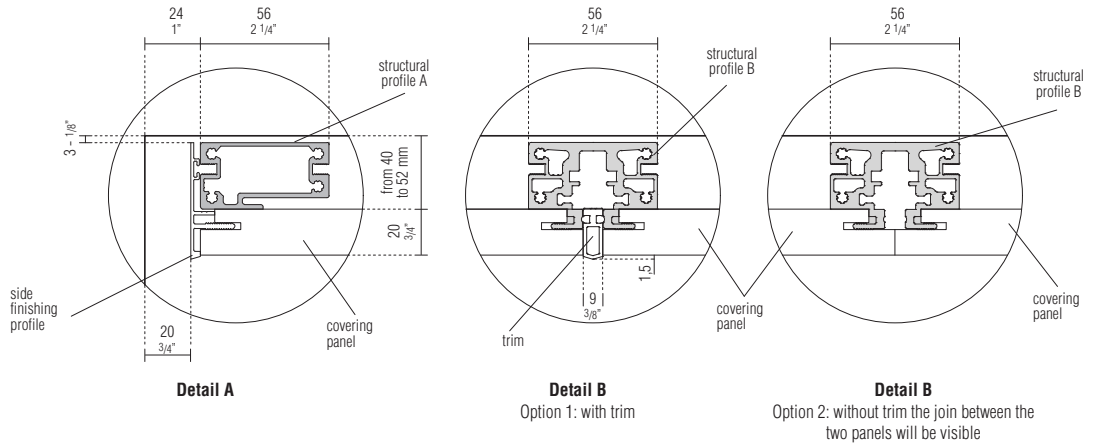
2025

PANELLING COMPOSITION - LINEAR SOLUTION WITH PUSH DOOR



Molteni&C

4—
31

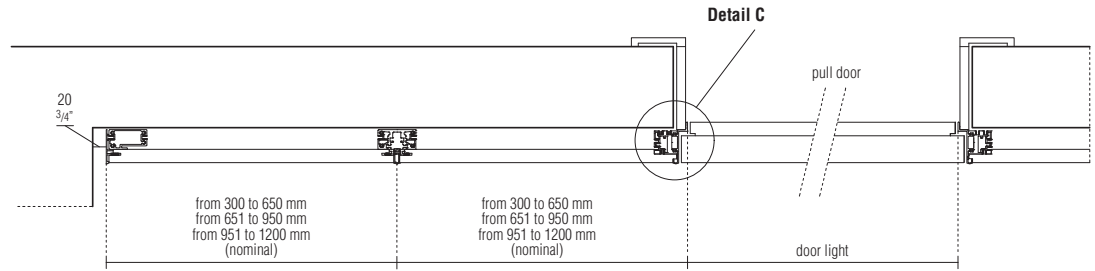


DATASHEET

REGISTERED
DESIGN

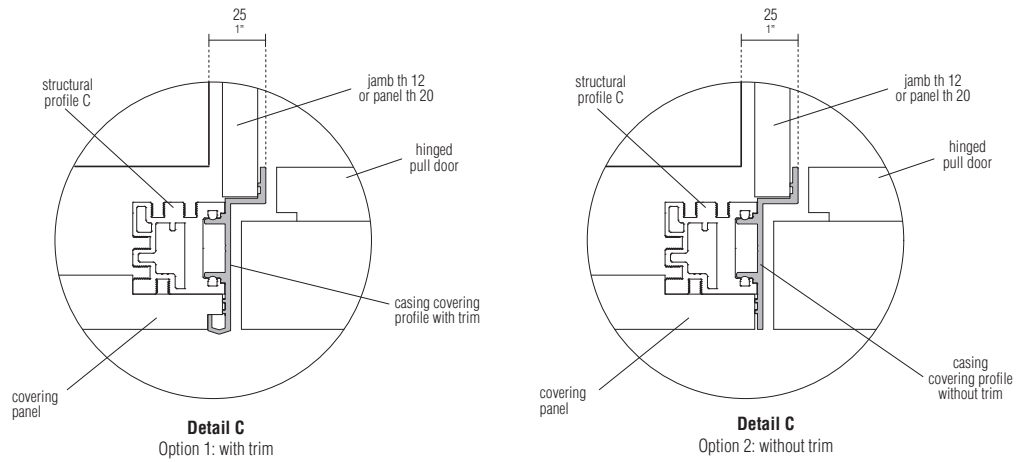
2025

PANELLING COMPOSITION - LINEAR SOLUTION WITH PULL DOOR



Molteni & C

5—
31



DATASHEET

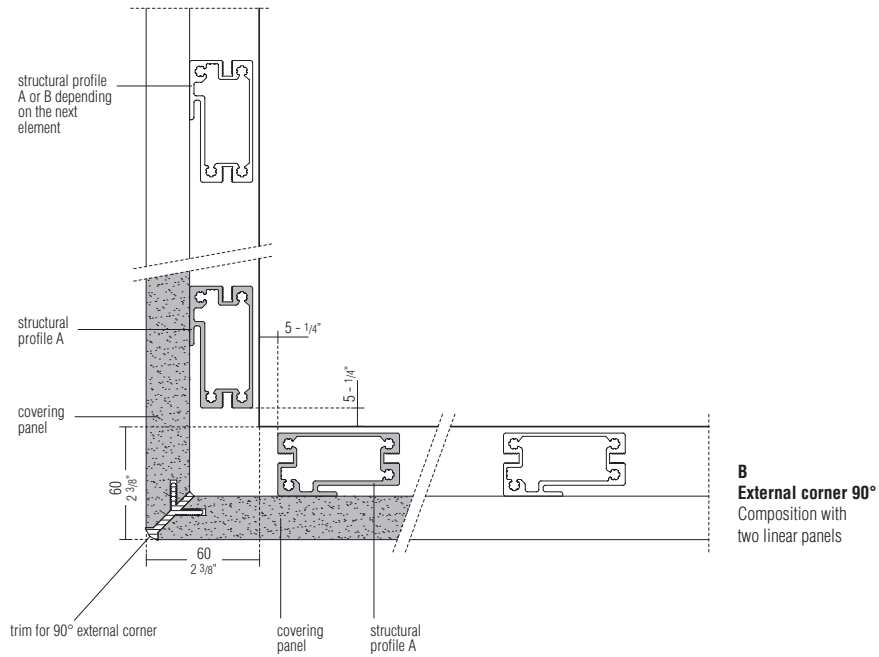
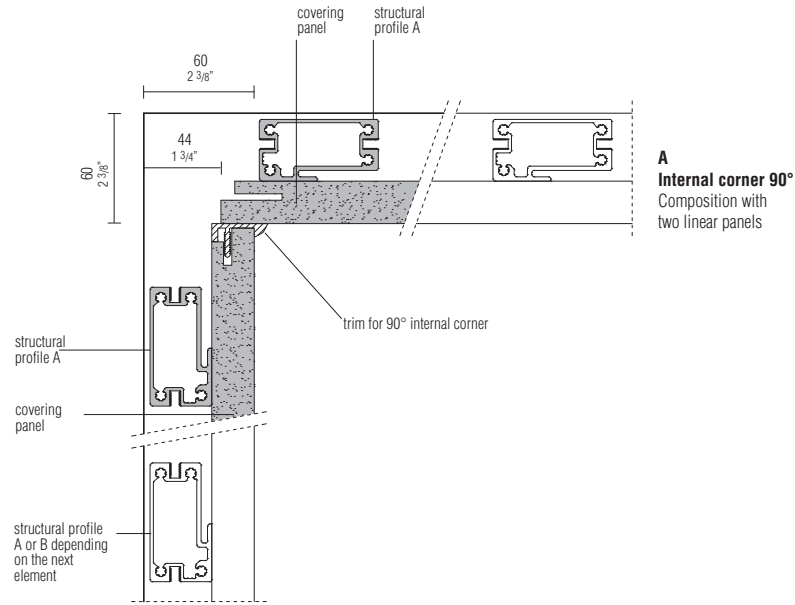
REGISTERED
DESIGN

2025

PANELLING COMPOSITION - 90° CORNER SOLUTIONS

Molteni & C

6—
31



DATASHEET

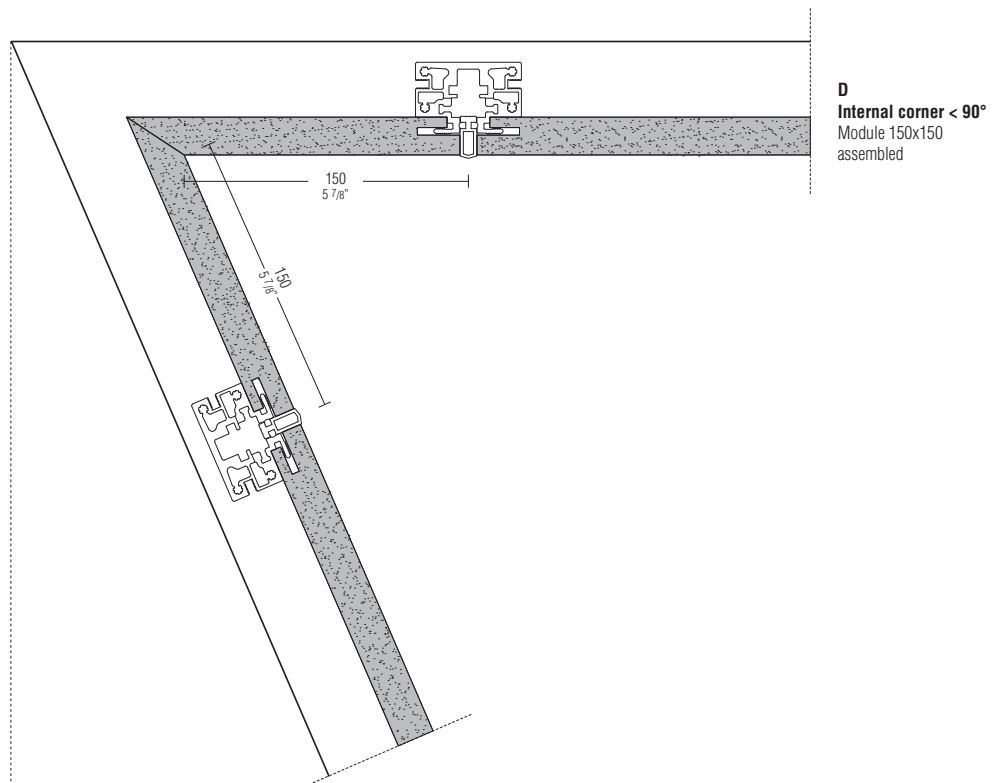
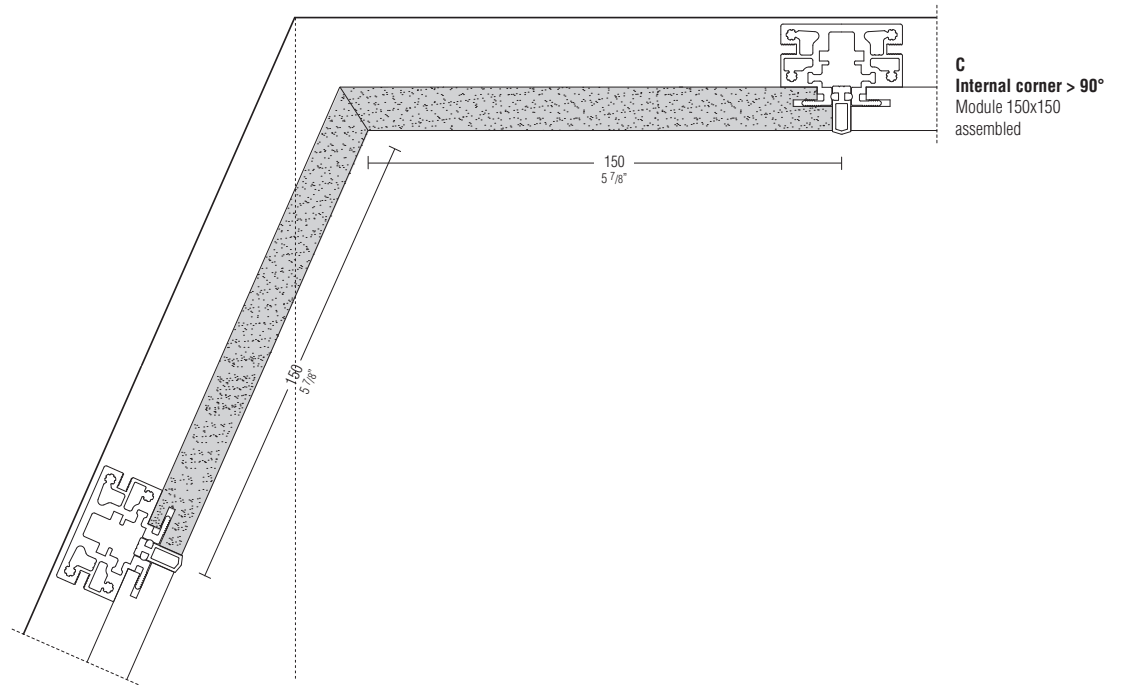
REGISTERED
DESIGN

2025

PANELLING COMPOSITION - INTERNAL CORNER SOLUTIONS

Molteni & C

7—
31



DATASHEET

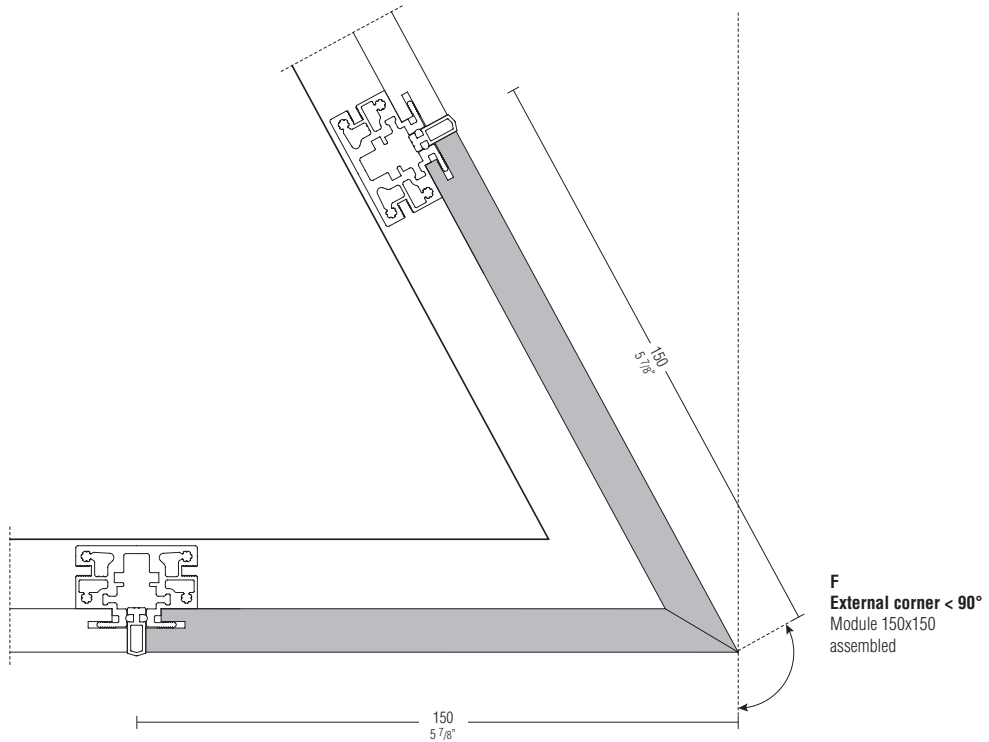
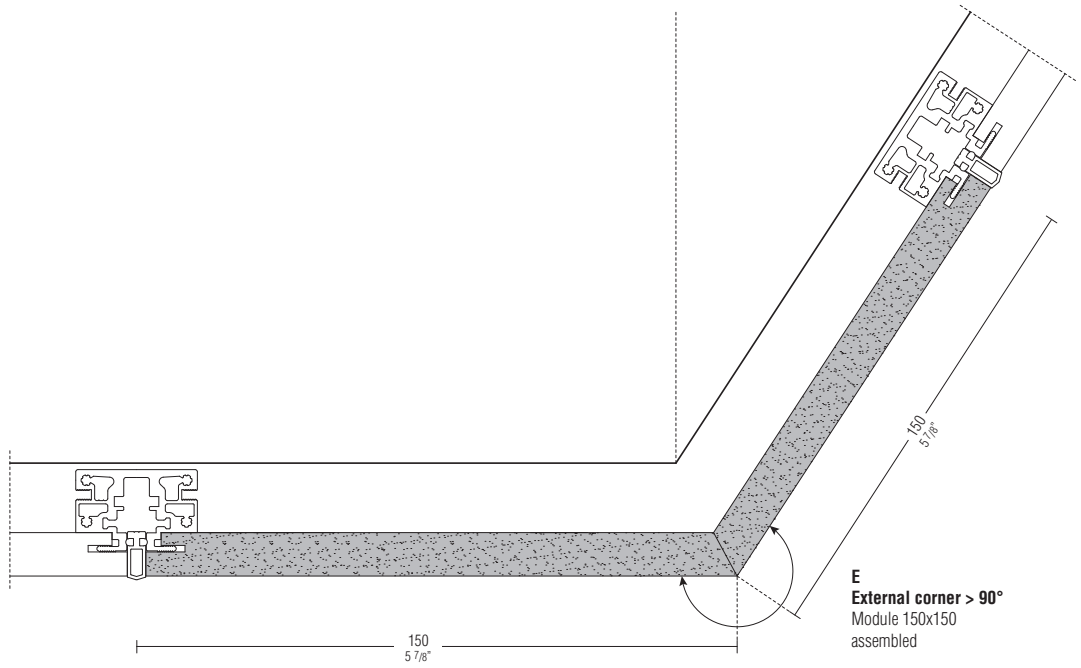
REGISTERED
DESIGN

2025

PANELLING COMPOSITION - EXTERNAL CORNER SOLUTIONS

Molteni & C

8—
31



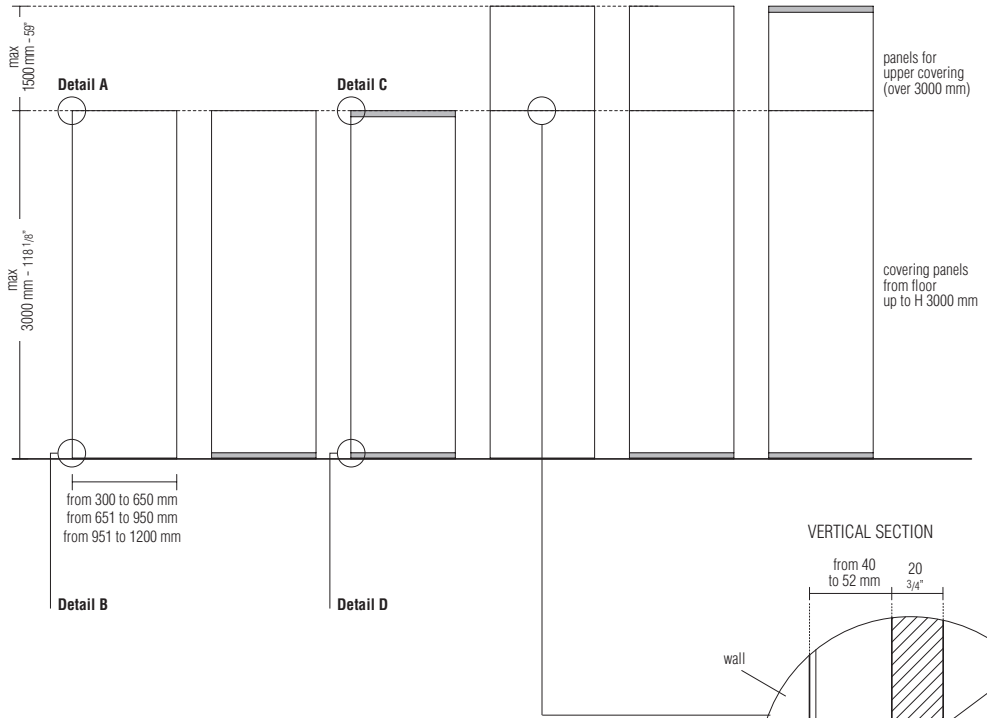
DATASHEET

REGISTERED
DESIGN

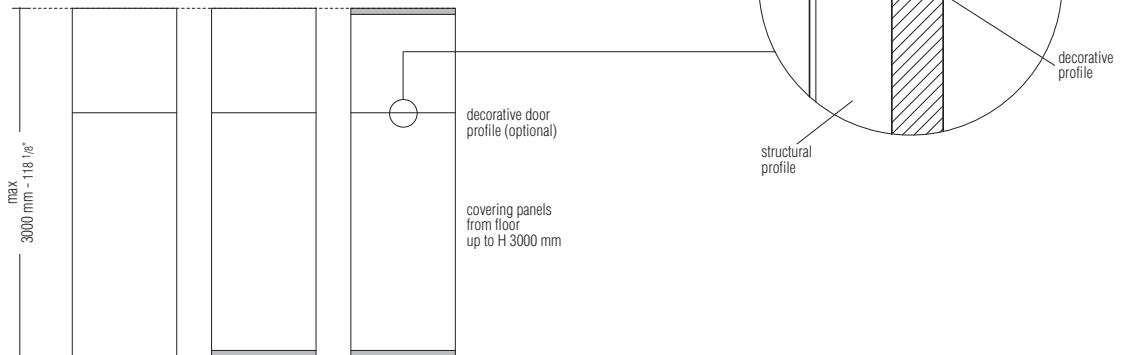
2025

COVERING PANELS - POSSIBLE CONFIGURATIONS

Covering panels without horizontal decorative profile



Covering panels with horizontal decorative profile (always at top-of-door height)



Molteni & C

9
31

DATASHEET

REGISTERED
DESIGN

2025

moltenigroup.com

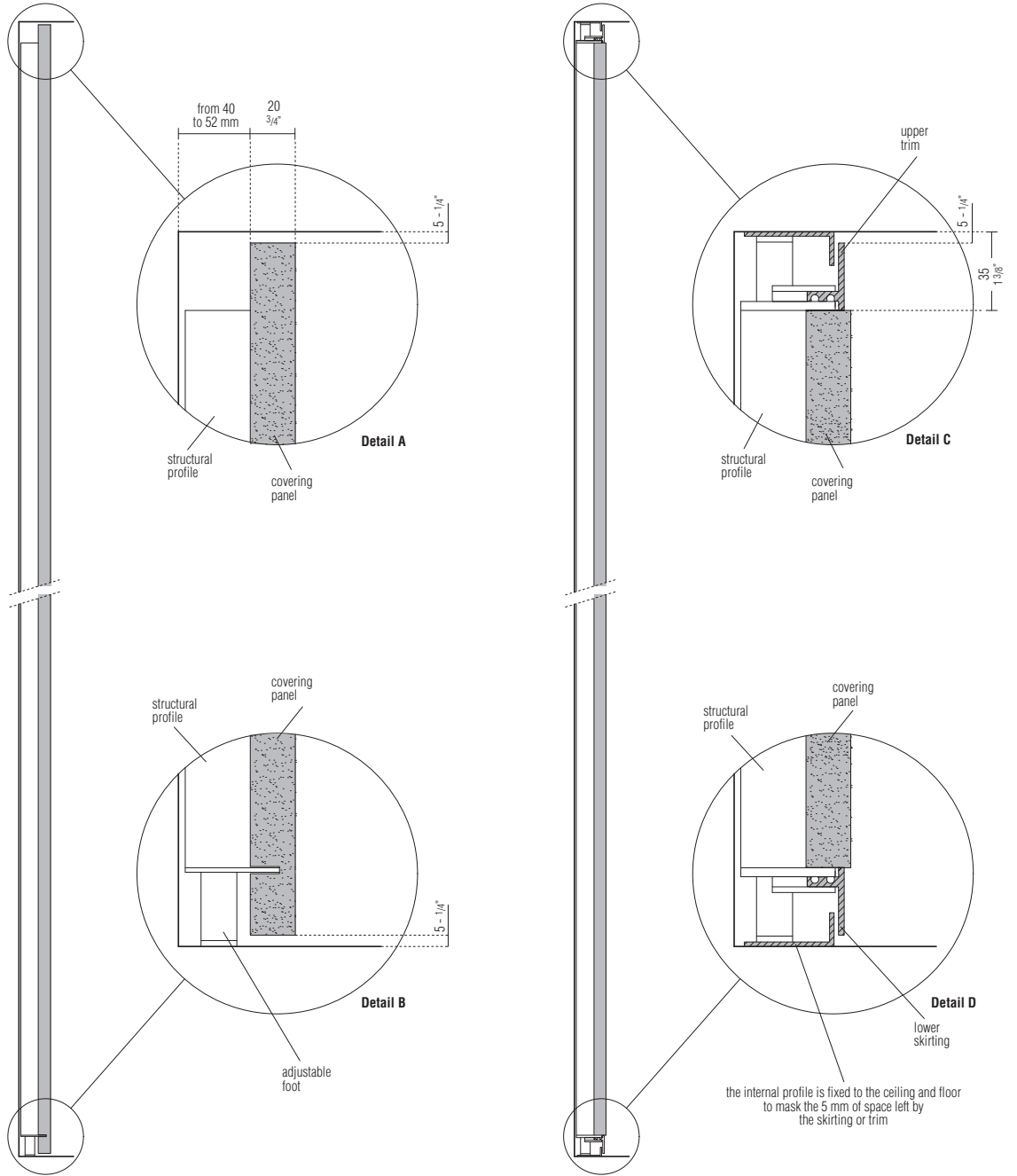
Dimensions in millimeters and inches. The right to discontinue and make changes is reserved. This information is based on the latest product information available at the time of printing.

COVERING PANELS - POSSIBLE CONFIGURATIONS

Vertical sections:
Detail of the lower and upper parts of the covering panels

Molteni & C

10—
31



DATASHEET

REGISTERED
DESIGN

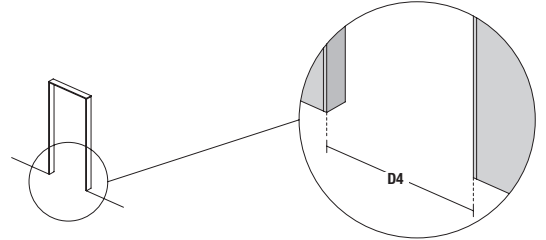
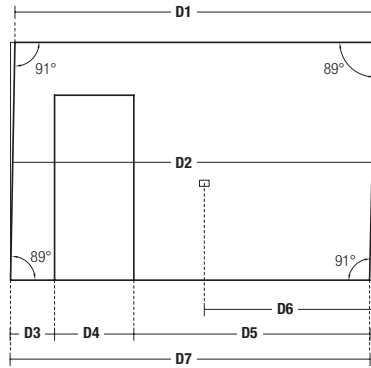
2025

INFORMATION TO COMMUNICATE FOR PROJECT AND ORDER MANAGEMENT

DWG DRAWING OF WALL AND CEILING AS PER THE ATTACHED DIAGRAMS

Molteni & C

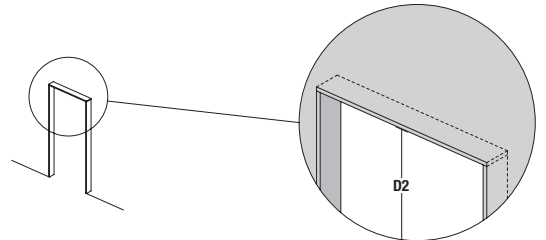
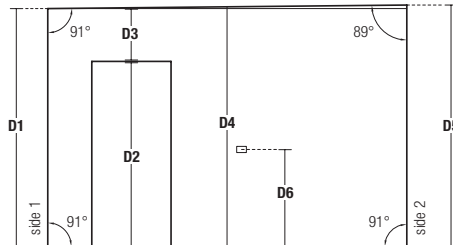
11—
31



1. WIDTH MEASUREMENT

The width of the wall must be measured near the ceiling **D1**, in mid-air **D2** and near the floor **D7**. This procedure ensures correct measurement of the wall dimensions.

Take partial measurements of the units on the face **D3 - D4 - D5**. Measurement **D4** must be taken from the false door frame.



2. HEIGHT MEASUREMENTS

The height of the room must be measured near the sides **D1** and **D5** and at the centre of the wall **D4**. This procedure ensures correct measurement of the wall dimensions.

Take partial measurements of the units on the face **D2 - D3**. Measurement **D2** must be taken from the false door frame.

DATASHEET

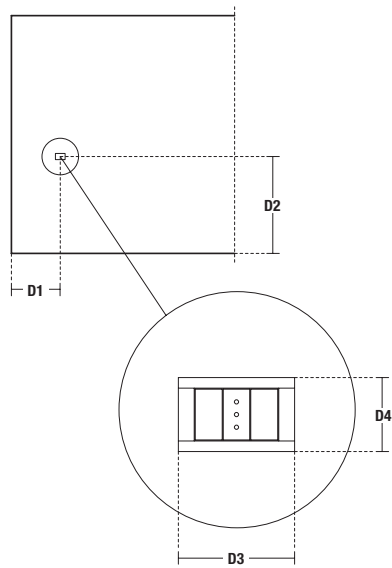
REGISTERED
DESIGN

2025

moltenigroup.com

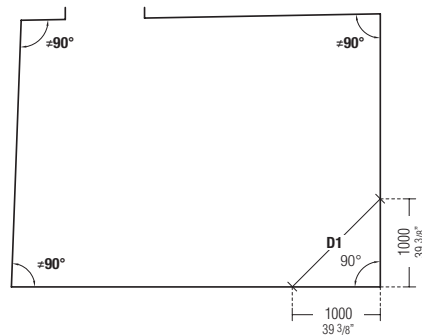
Dimensions in millimeters and inches. The right to discontinue and make changes is reserved. This information is based on the latest product information available at the time of printing.

INFORMATION TO COMMUNICATE FOR PROJECT AND ORDER MANAGEMENT



3. MEASURING ELECTRICAL OUTLETS

- D1** Centre of electrical outlet from a fixed point in the room.
- D2** Centre of electrical outlet from the floor or ceiling.
- D3** Width (or diameter) of wall plate.
- D4** Height of wall plate.



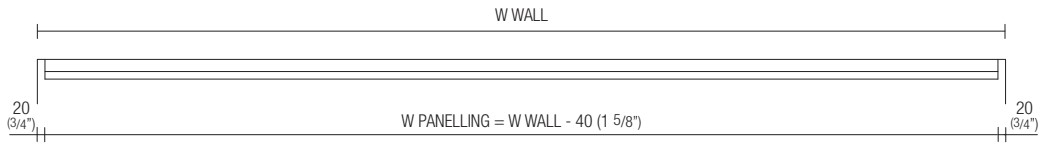
4. FLOOR MEASUREMENTS

The measurements must also include the floor of the room, especially if the panelling is installed on all the walls. Angles can still be calculated without the use of a digital protractor.

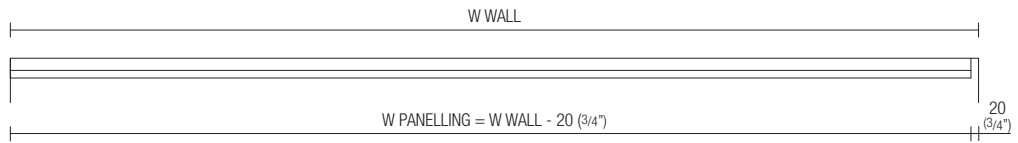
When the angle is exactly 90°, measurement **D1** is equal to 1414 mm - (55 5/8").

INFORMATION TO COMMUNICATE FOR PROJECT AND ORDER MANAGEMENT

5. WE RECOMMEND



6. ALTERNATIVE SOLUTION



Molteni & C

13—
31

7. ASSEMBLY FROM LEFT TO RIGHT

LEFT → RIGHT

TO SPECIFY IN THE ORDER

SKIRTING	<input type="checkbox"/> Yes	<input type="checkbox"/> No	
UPPER TRIM	<input type="checkbox"/> Yes	<input type="checkbox"/> No	
CENTRAL FOOT	<input type="checkbox"/> Yes	<input type="checkbox"/> No	
DECORATIVE PROFILE	<input type="checkbox"/> Yes	<input type="checkbox"/> No	
PANELLING FINISH	<input type="checkbox"/> Matt Lacquer	<input type="checkbox"/> Wood	<input type="checkbox"/> Fabric <input type="checkbox"/> MDi by Inalco <input type="checkbox"/> Mirror
FINISH OF METAL PARTS	<input type="checkbox"/> Iris	<input type="checkbox"/> Pewter Colour	
HINGE TYPE	<input type="checkbox"/> Invisible	<input type="checkbox"/> Side recessed	<input type="checkbox"/> Pivot <small>Invisible hinge not available for MDi by Inalco and mirror</small>
TYPE OF DOOR OPENING HINGE SIDE REFERENCE	<input type="checkbox"/> RIGHT Opening	<input type="checkbox"/> LEFT Opening	
DOOR HANDLE TYPE	<input type="checkbox"/> Supercerchio	<input type="checkbox"/> Superquadro	<input type="checkbox"/> Customer's Handle
DOOR SIDE FINISH COPLANAR WITH PANELLING	Specify _____		For MDi by Inalco and mirror
DOOR SIDE FINISH OPPOSITE TO PANELLING	Specify _____		the finish is monochromatic
OPPOSITE SIDE TYPE	<input type="checkbox"/> Architrave	<input type="checkbox"/> Plasterboard	<input type="checkbox"/> Pannelling
JAMB / ARCHITRAVE FINISHING	<input type="checkbox"/> Matt Lacquer	<input type="checkbox"/> Wood	<input type="checkbox"/> Glossy Lacquer <input type="checkbox"/> Fabric

DATASHEET

REGISTERED
DESIGN

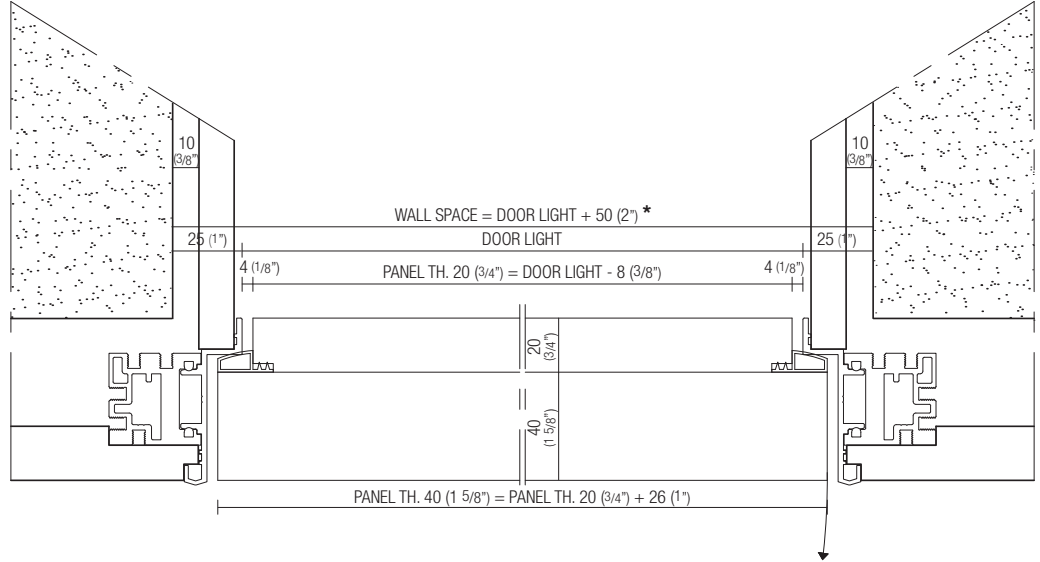
2025

INFORMATION TO COMMUNICATE FOR PROJECT AND ORDER MANAGEMENT

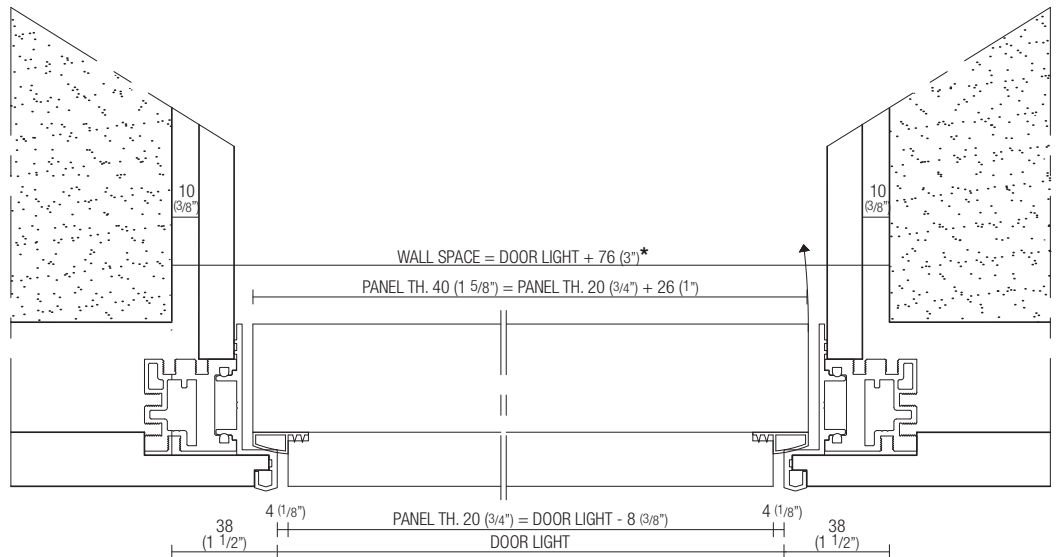
Molteni & C

14—
31

LEFT-SIDE PULL DOOR
COPLANAR SIDE PANNELLING



LEFT-SIDE PUSH DOOR
COPLANAR SIDE PANNELLING



* In the case of both push and pull pivot hinge:
wall space = door opening + 63

DATASHEET

REGISTERED
DESIGN

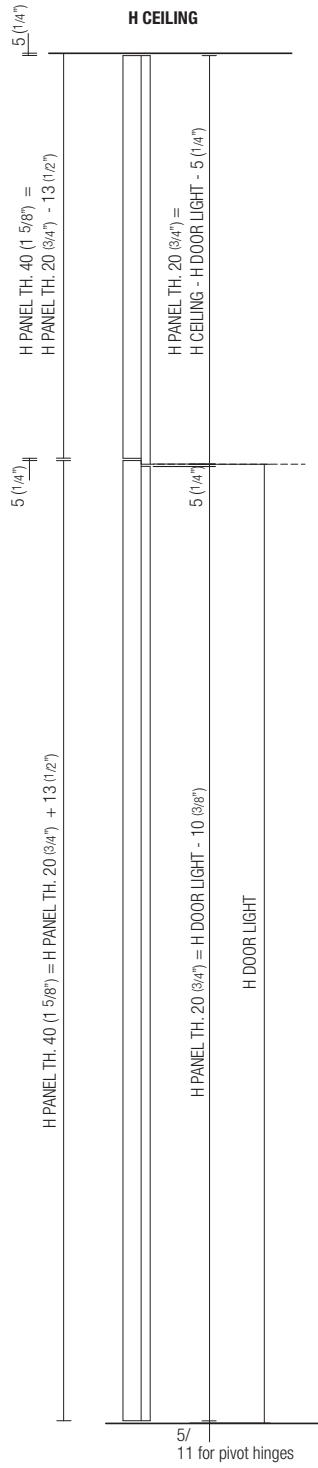
2025

INFORMATION TO COMMUNICATE FOR PROJECT AND ORDER MANAGEMENT

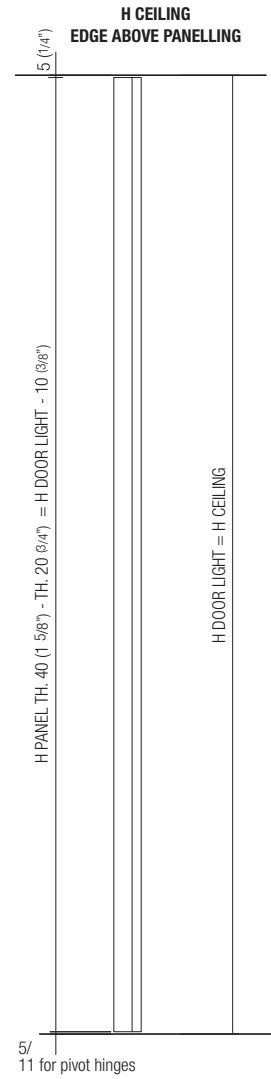
Molteni & C

15—
31

DOOR LIGHT HEIGHT
DIFFERENT FROM CEILING HEIGHT



DOOR LIGHT HEIGHT
EQUAL TO THE HEIGHT OF THE CEILING



DATASHEET

REGISTERED
DESIGN

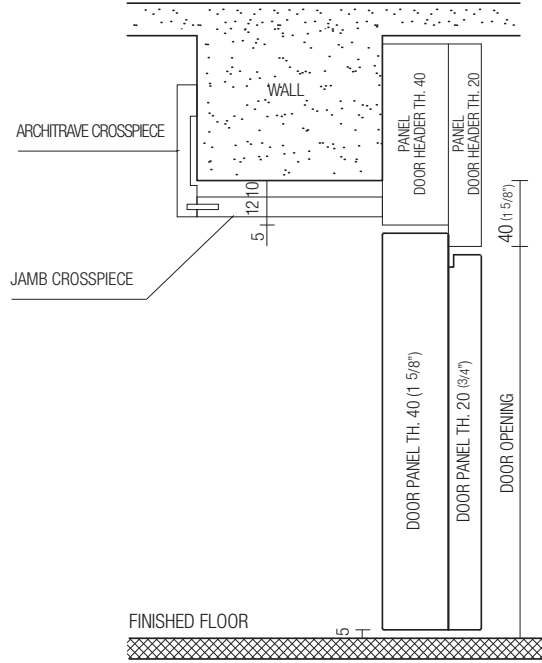
2025

INFORMATION TO COMMUNICATE FOR PROJECT AND ORDER MANAGEMENT

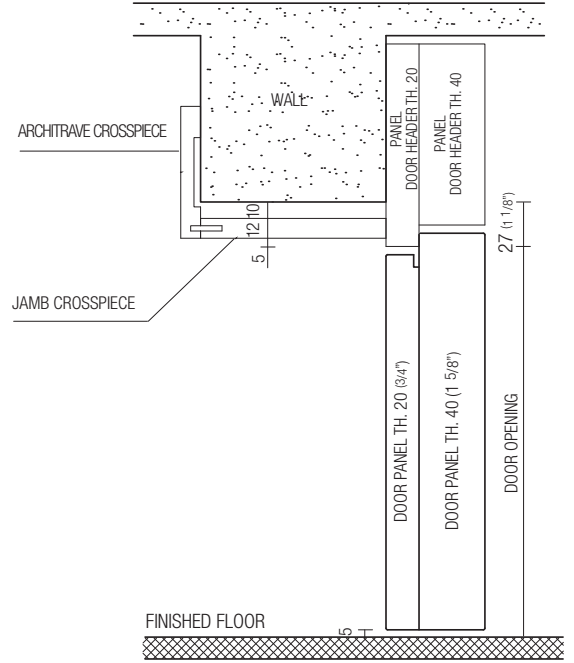
Molteni & C

16—
31

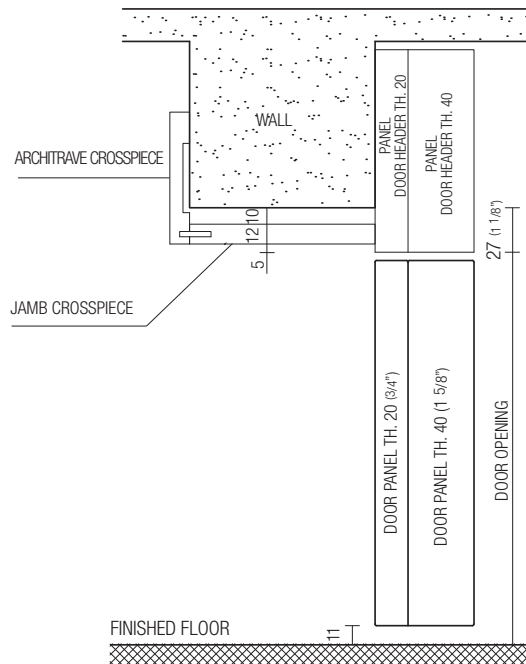
PUSH DOOR



PULL DOOR



PIVOT DOOR



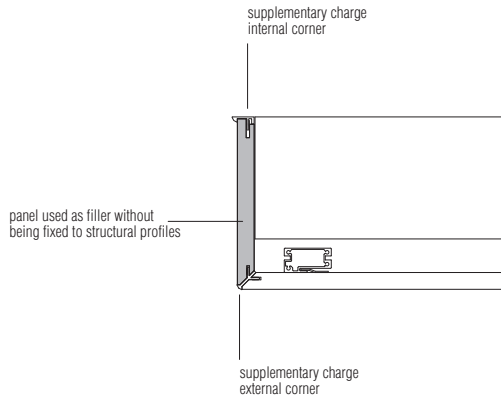
In the MDi by Inalco and mirror finishes, the doors are produced in a single panel

DATASHEET

REGISTERED
DESIGN

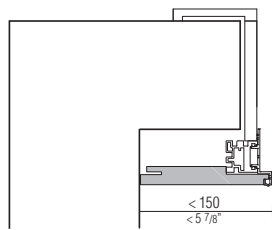
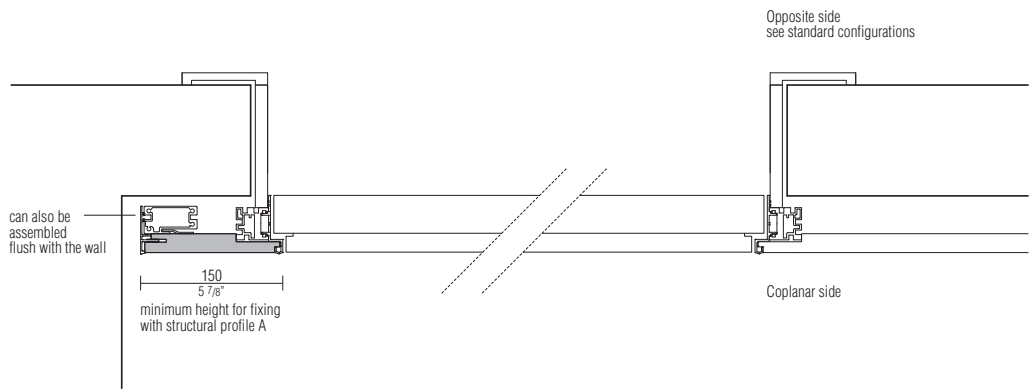
2025

EXAMPLE OF COVERING PANEL USED AS FILLER

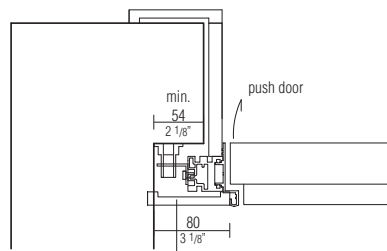


Molteni & C

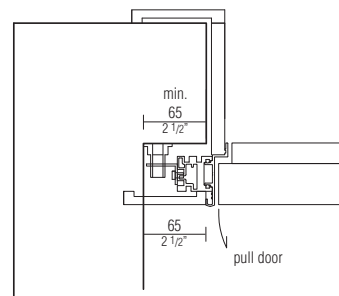
17—
31



Covering panel used as filler th. 20 mm.
If between 81 mm and 149 mm it must be cut on site and will not be fixed to the wall using structural profile A
Not possible with mirror and MDi by Inalco.



if smaller than 81 mm use architrave.
Not possible with mirror and MDi by Inalco.



DATASHEET

REGISTERED
DESIGN

2025

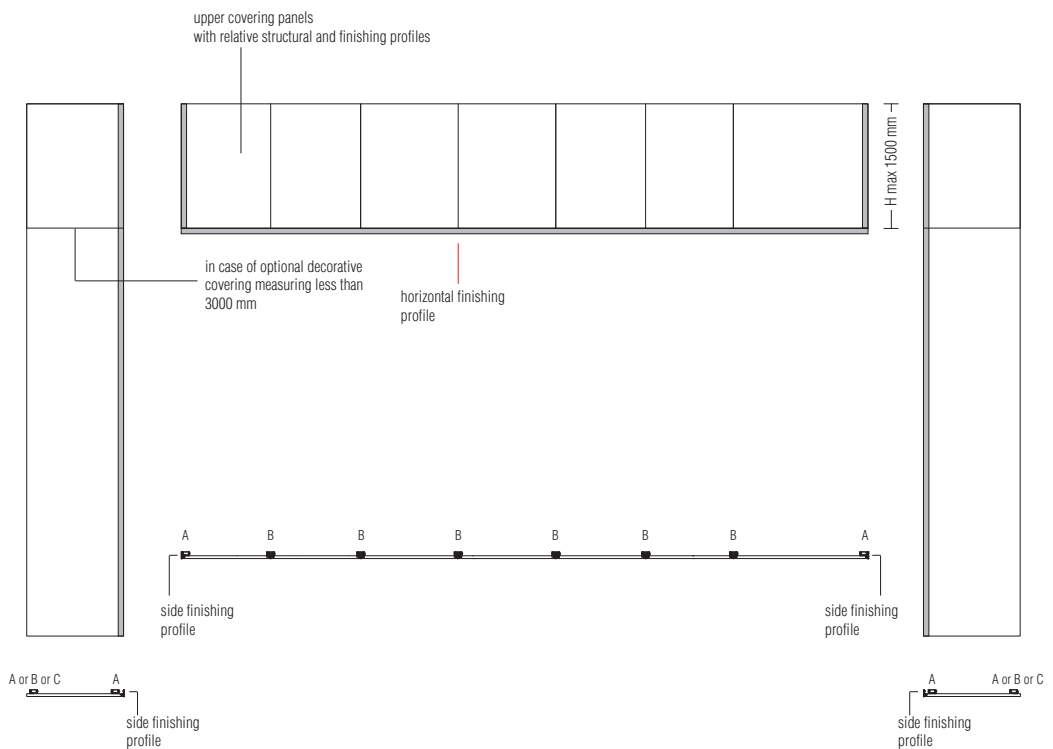
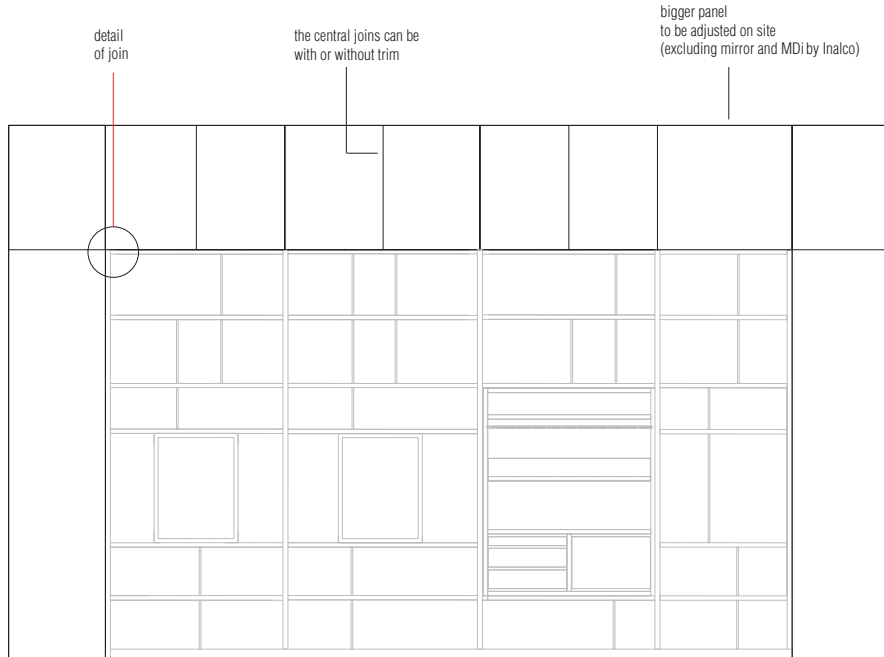
ACCESSORY APPLICATIONS - CONSTRUCTION OF COVERING FOR NICHES

To cover niches that have Gliss Master or 505 UP System compositions inserted components from the price list must be used (as shown below) with the addition of a horizontal finishing profile.

Notes

The hanging covering is always fixed to the wall.
For the mirror and MDI by Inalco covering panels, consider a space between composition and covering as the material cannot be altered on site.

Example



DATASHEET

REGISTERED
DESIGN

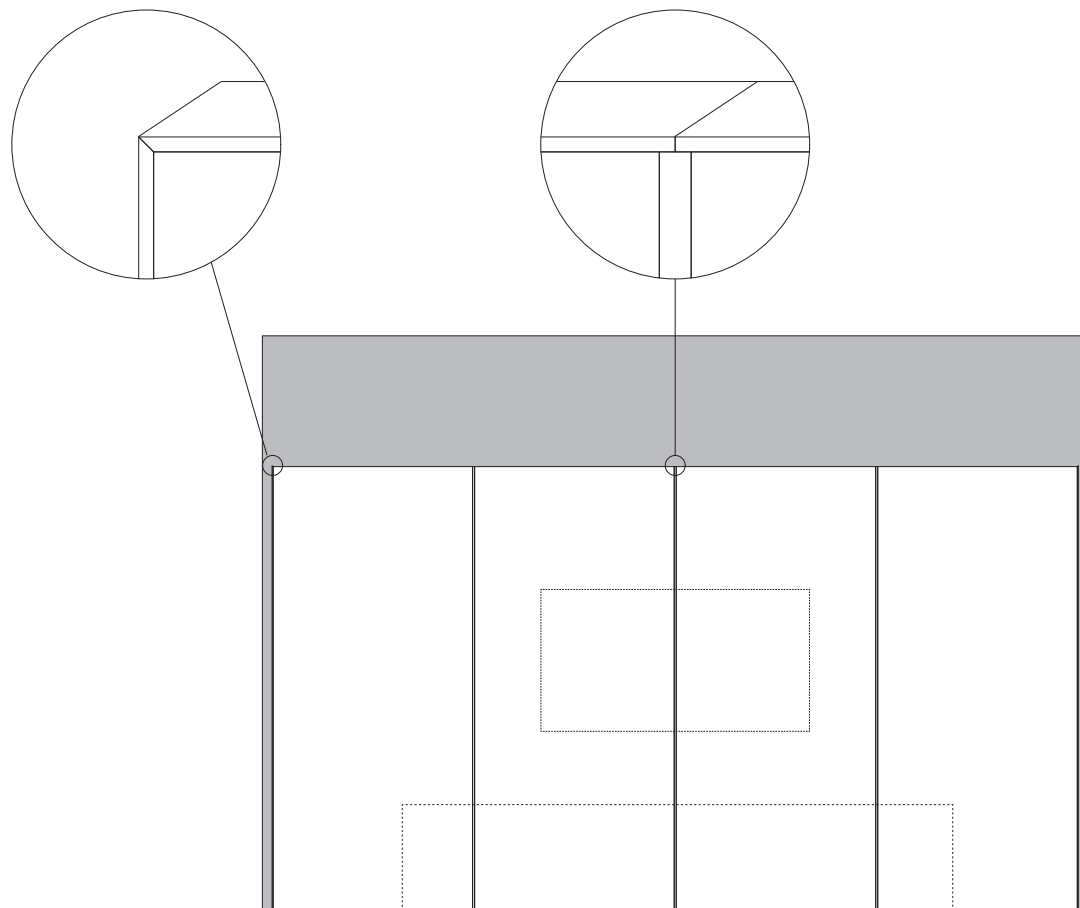
2025

ACCESSORY APPLICATIONS - PANELLING NOT TO THE CEILING

When covering panels do not reach the ceiling (see example), the upper part of the composition may be finished with a horizontal finishing profile.

Molteni & C

19—
31



DATASHEET

REGISTERED
DESIGN

2025

ACCESSORY APPLICATIONS - FIXING SUSPENDED UNITS

LOGOS compositions and individual PASS-WORD EVOLUTION shelves can be hung directly and in any position on the Aerial covering panels.
Not feasible on mirror and MDi by Inalco panels.

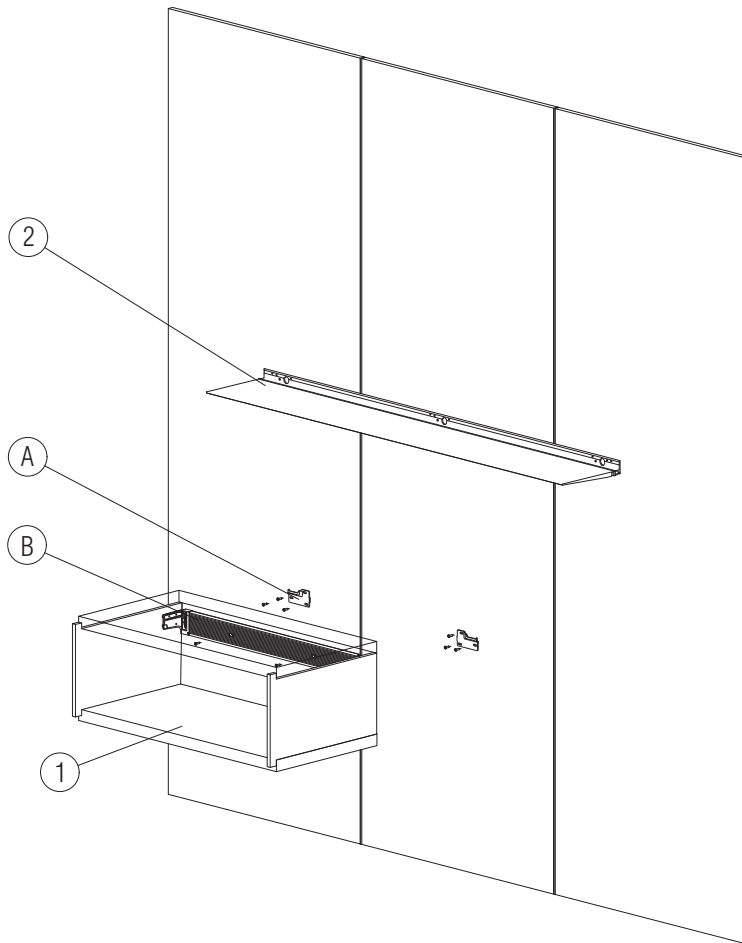
Notes

It is the customer's responsibility to check the suitability of the wall to which the Aerial panelling will be fixed. If the hanging elements are fitted with LED lighting, the customer is responsible for preparing the panelling for the passage of cables or electrical sockets.

Any requests for Molteni&C wall-hung units to be fixed differently to the options given above must be assessed beforehand and authorised by the Molteni&C technical office. The supplementary charge will be communicated with a specific order only after feasibility check.

Molteni&C

20—
31



1 - LOGOS: Fixing with the brackets supplied (A) and the connection bar inside each module (B)
Maximum capacity: Compositions H 358/507 20 kg per LM evenly distributed;
Compositions H 656 20 kg per LM evenly distributed + 10 kg for each inside compartment;
Compositions H 1250 20 kg per LM evenly distributed + 20 kg for each inside compartment.

2 - PASS-WORD EVOLUTION single shelves: Maximum capacity 20 kg per LM evenly distributed.

DATASHEET

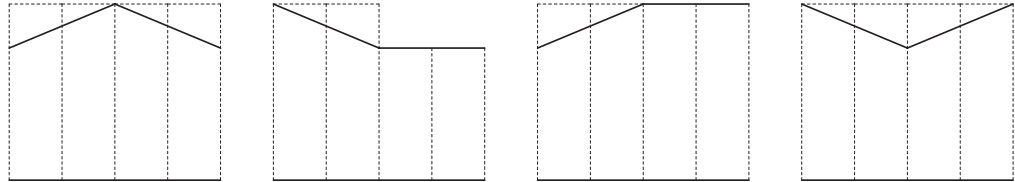
REGISTERED
DESIGN

2025

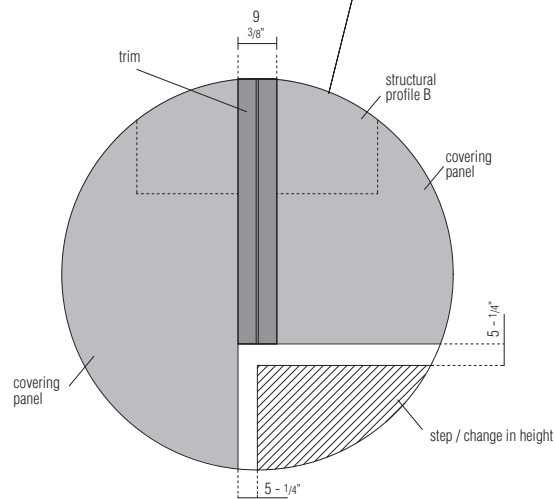
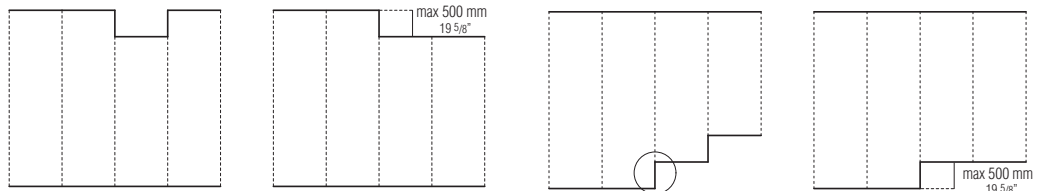
SHAPING COVERING PANELS

Installation feasibility must be assessed on a case-by-case basis.
The upper trim cannot be added to covering panels.
Not possible on mirror and MDi by Inalco panels.

Possible configurations



In the cases shown below, it is not necessary to shape the panels.



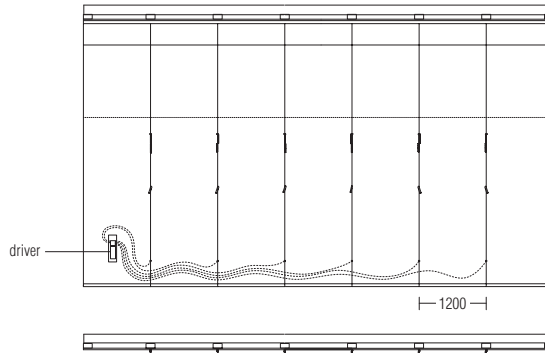
LIGHTING SYSTEM WITH FRONT-MOUNT LAMPS

- The lamps can only be mounted onto the structural profiles B with trim.
- Structural profiles B can be electrified using the special ducts linked to a driver placed on the last panel (Max. 8 ducts - Max 6 lm).
- The quantity and height of the lamps can be positioned by the client (Max. 40W for each driver).
- The trim is replaced by a cover matching the duct in the same shape and finish.
- To switch it on, it is necessary to connect the system to a controlled socket, purchase the kit with radio control or with Dali.

Notes

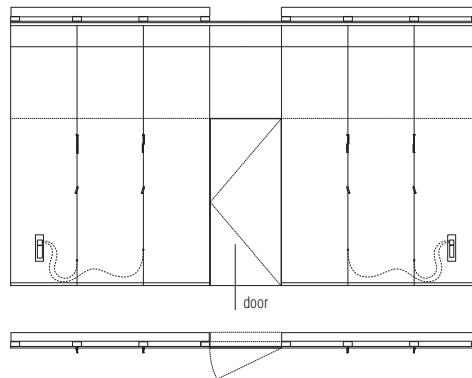
- The quantity and type of components will be calculated by Molteni&C depending on the position of the lamps and the size and arrangement of the composition.
- Below we give some examples of lighting systems.

Example 1



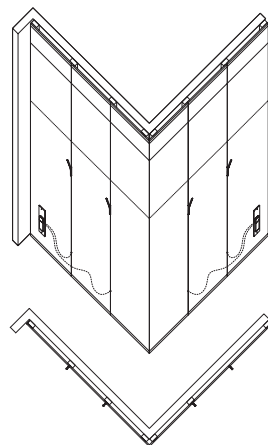
The maximum distance between the driver and the most distant electrified duct must be a maximum of 6 lm

Example 2



In case of a door, 2 separate systems must be created

Example 3



In case of external corner, 2 separate systems must be created

Molteni & C

22—
31

DATASHEET

REGISTERED
DESIGN

2025

moltenigroup.com

Dimensions in millimeters and inches. The right to discontinue and make changes is reserved. This information is based on the latest product information available at the time of printing.

DOORS FOR PANELLING

The nominal measurement of the door refers to the door opening

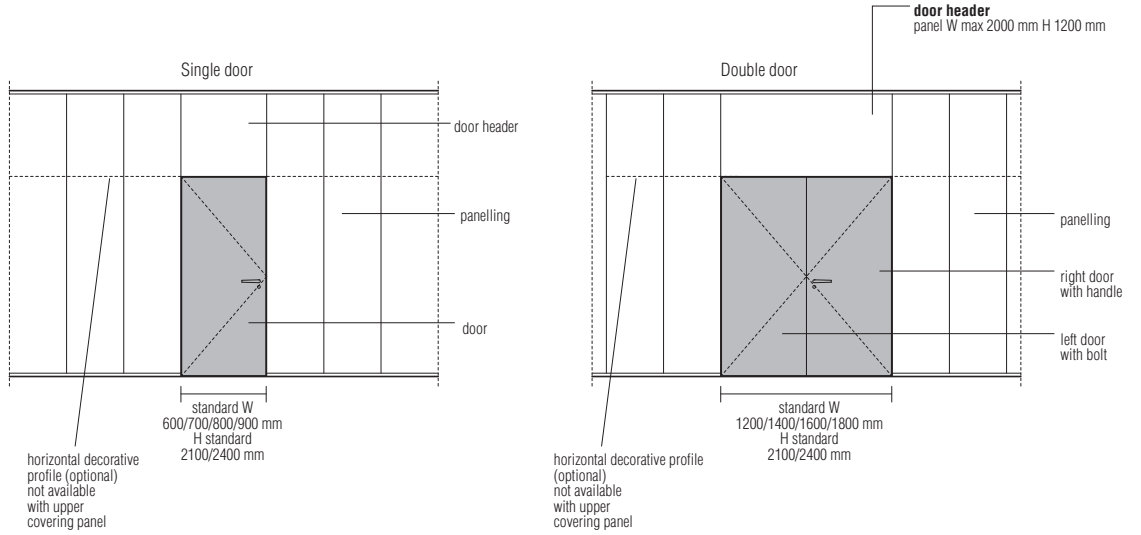
Notes

For the double door, the handle is installed on the right-hand door.
On request (with no extra charge) the handle can be supplied on the left-hand door.
In case of double doors the maximum height cannot exceed 4200 mm (door H 3000 mm + door header H 1200 mm)

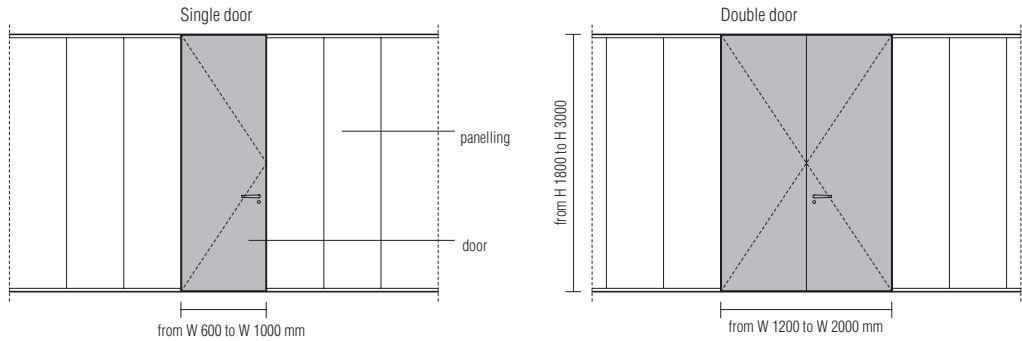
Molteni & C

23—
31

Standard sizes

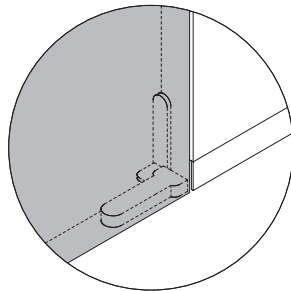


Made to measure

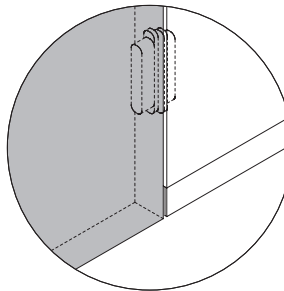


Type of hinges and openings

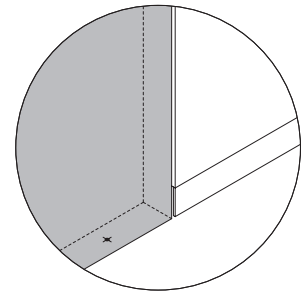
Invisible hinge



Side recessed hinge



Pivot hinge (pivot door)



DATASHEET

REGISTERED
DESIGN

2025

DOORS FOR PANELLING WITH PULL OPENING

The door opening direction is always indicated with respect to the coplanar side, i.e. the side where the door is aligned with the wall (panelling).

Right or left opening

The opening direction is defined by the position of the hinges, always with reference to the coplanar side. The position of the hinges is usually on the opposite side to the switch.

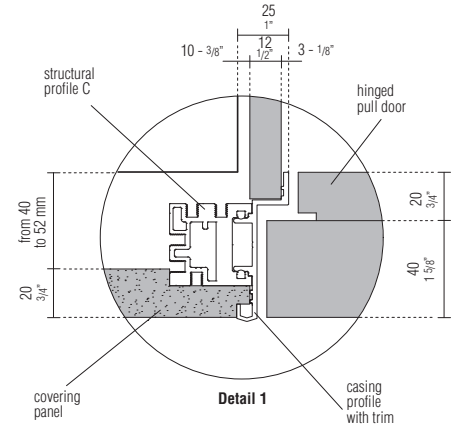
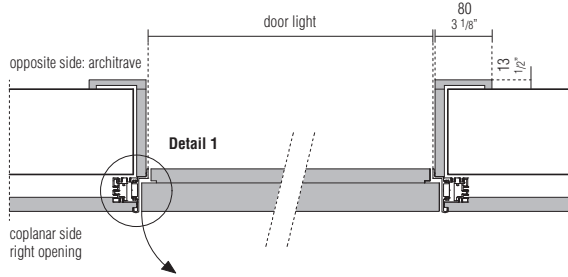
Notes

The casing is also available in the "without trim" version, to be specified when ordering.

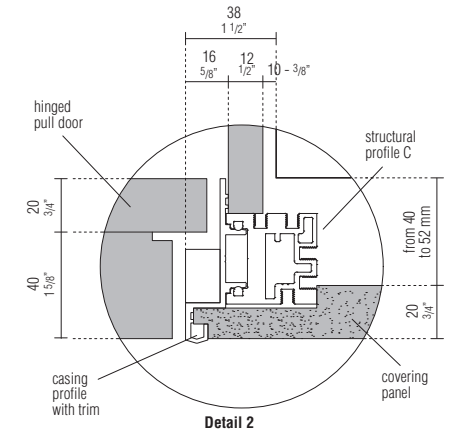
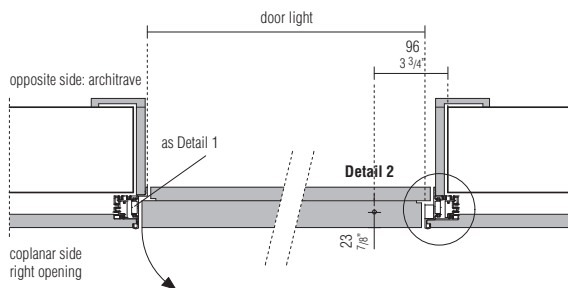
Molteni & C

24 —
31

With invisible and side recessed hinge

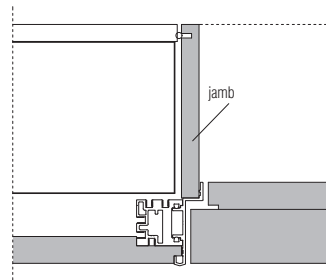


With pivot hinge



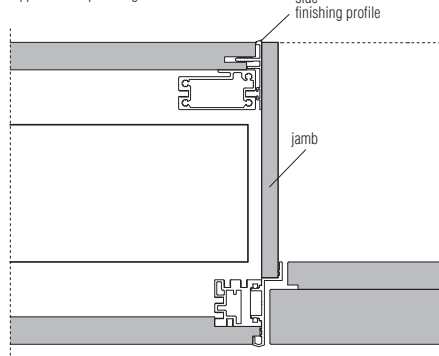
Opposite side examples

Opposite side in plasterboard



Coplanar side panelling

Opposite side panelling



Coplanar side panelling

DATASHEET

REGISTERED
DESIGN

2025

DOORS FOR PANELLING WITH PUSH OPENING

The door opening direction is always indicated with respect to the coplanar side, i.e. the side where the door is aligned with the wall (panelling).

Right or left opening

The opening direction is defined by the position of the hinges, always with reference to the coplanar side. The position of the hinges is usually on the opposite side to the switch.

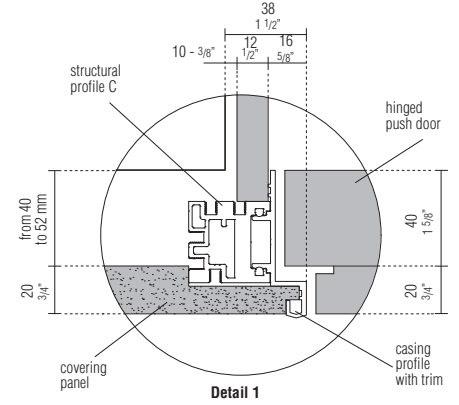
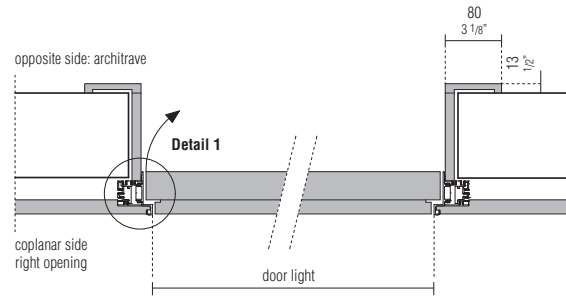
Notes

The casing is also available in the "without trim" version, to be specified when ordering.

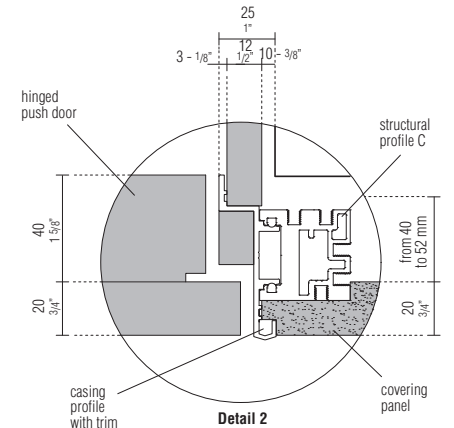
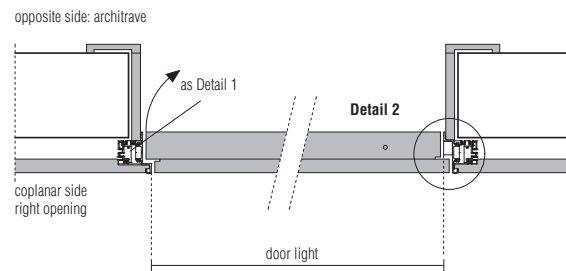
Molteni & C

25—
31

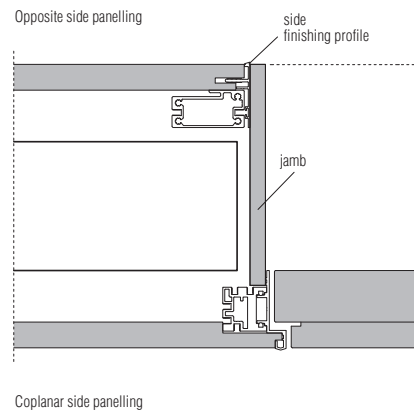
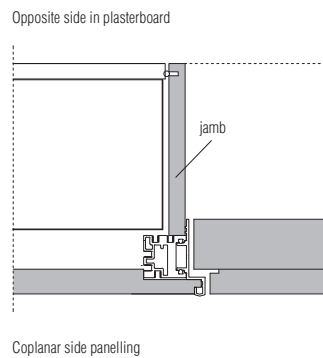
With invisible and side recessed hinge



With pivot hinge



Opposite side examples



DATASHEET

REGISTERED
DESIGN

2025

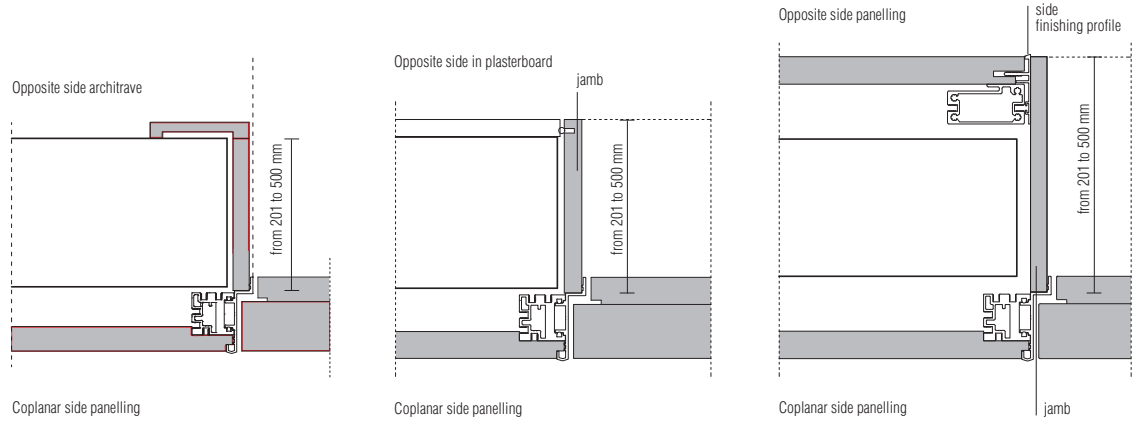
SPECIAL JAMB TH 12 FROM 201 TO 500 MM

Notes

Jambes deeper than 200 mm can be supplied up to a depth of 500 mm.

Molteni & C

26—
31



DATASHEET

REGISTERED
DESIGN

2025

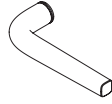
DOOR ACCESSORIES

**Supercerchio
handle**

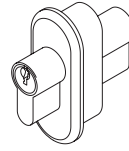
**Supercerchio handle
iris / pewter colour
(pair)**

cylinder with lock
only for use with
Supercerchio handle

**latch with
free/occupied lock**
only for use with
Supercerchio handle



FMAN01



FCSE01



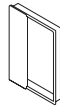
FNSE01

Molteni & C

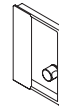
**Superquadro
handle**

**Superquadro handle
(pair)**

**Superquadro handle
with latch (pair)**



pewter colour / iris
FMAN02



pewter colour / iris
FMAN03

rod for doors
for heights greater than 2100 mm
(optional)

FTIR01

27—
31

DATASHEET

REGISTERED
DESIGN

2025

moltenigroup.com

Dimensions in millimeters and inches. The right to discontinue and make changes is reserved. This information is based on the latest product information available at the time of printing.

SOLUTIONS WITH FIXING TO JAMB (CX) SEPARATE FROM PANELLING

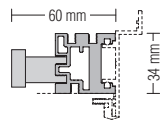
To expand the Arial range we have developed the option of fixing one of the two door jambs separately from the panelling.
For this purpose, below we show some examples and the specifically designed "CX" jamb element.

Molteni & C

**jamb (CX) for fixing
separately from the panelling**

from the floor
up to 3000

for upper covering
over 3000 (max. 1500)



PRSC30M



PRSC15M

28—
31

DATASHEET

REGISTERED
DESIGN

2025

SOLUTIONS WITH FIXING TO JAMB (CX) SEPARATE FROM PANELLING

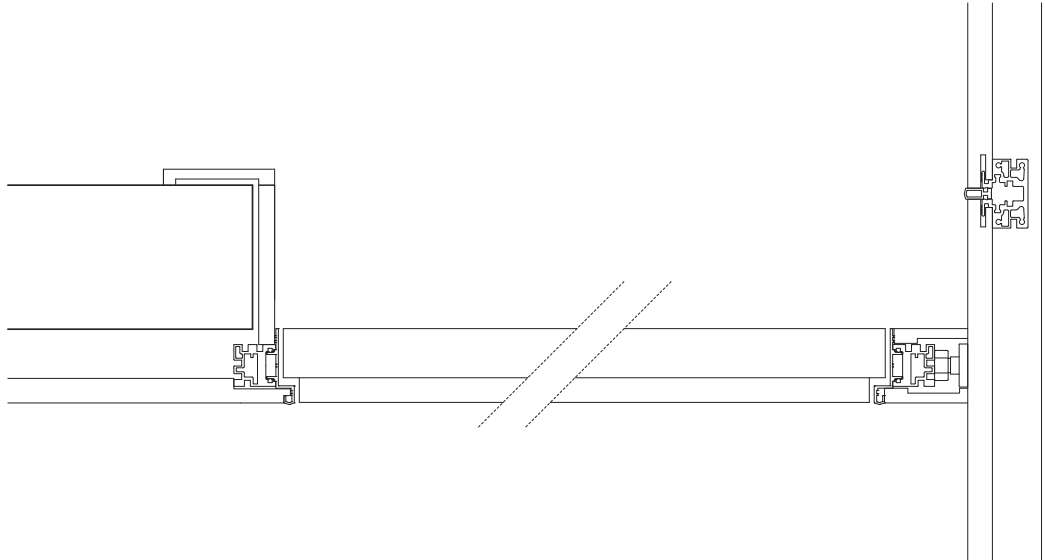
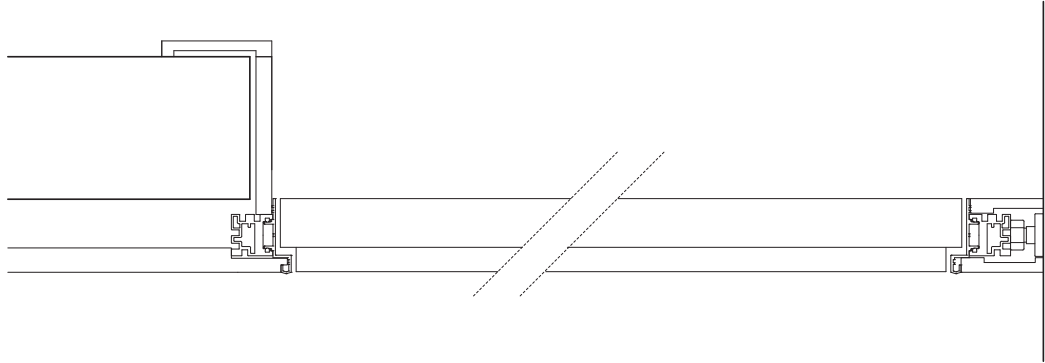
Example 1

Fixing jamb CX to the wall.

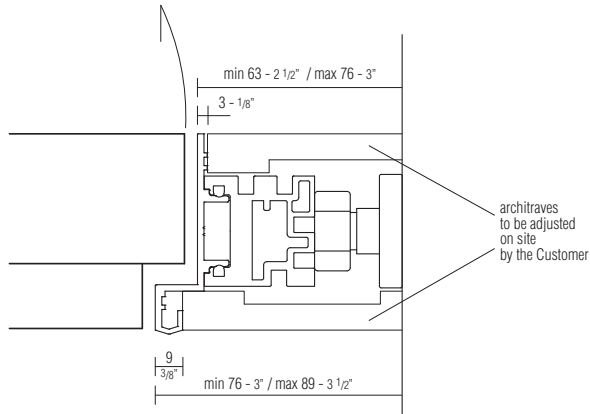
In these cases, jamb CX is fixed to the wall or the panelling and finished with jamb-cover profile and architraves.

Molteni & C

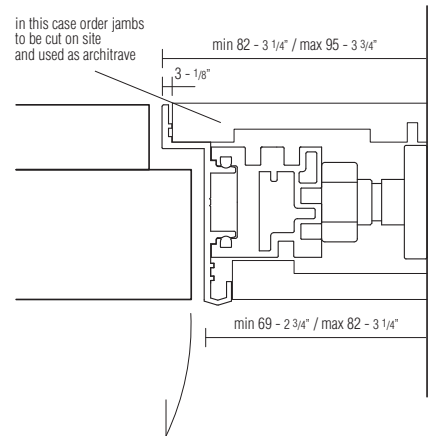
29—
31



Push door



Pull door



DATASHEET

REGISTERED
DESIGN

2025

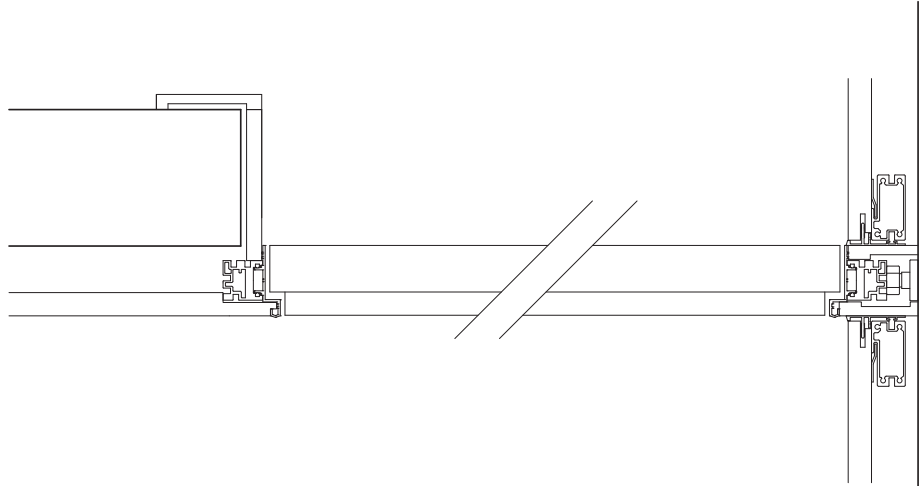
SOLUTIONS WITH FIXING TO JAMB (CX) SEPARATE FROM PANELLING

Example 2

Fixing jamb CX to the wall with adjacent panelling.
The panellings adjacent to the jamb CX are separate elements.

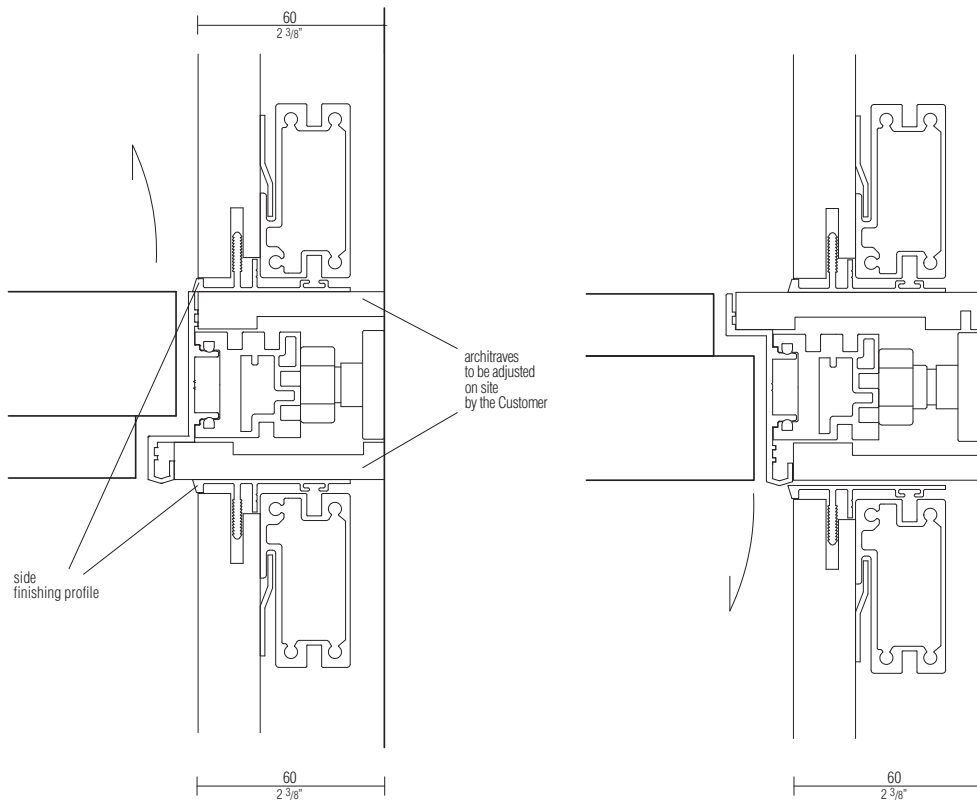
Molteni & C

30—
31



Push door

Pull door



DATASHEET

REGISTERED
DESIGN

2025

DOORWAY

The doorway always goes from floor to ceiling and comprises three elements:
Side panel th. 40
Pivot door th. 50
Front panel th. 50

Finishes:

Wood (RC - RF - RN - RS)
Matt lacquered colours
Glossy lacquered colours
MDI by Inalco
mirror (only door)

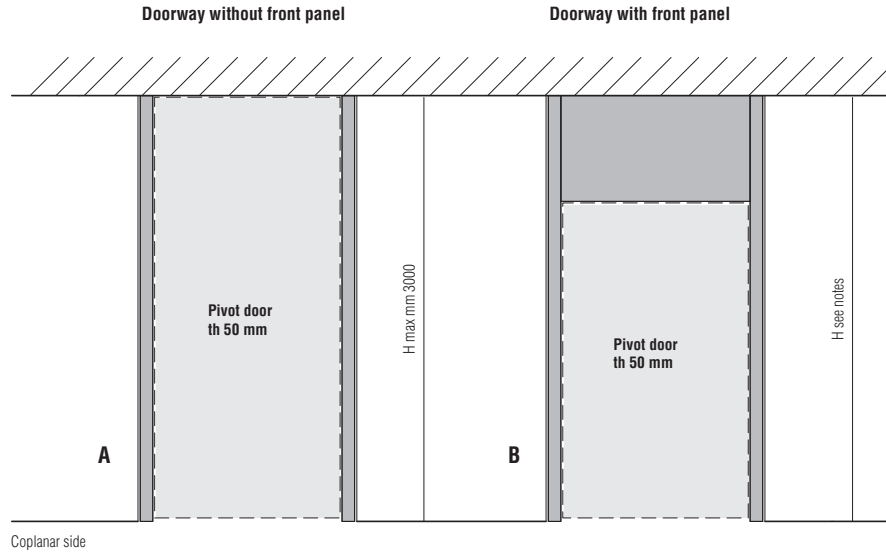
Notes

The doorway is always inserted separate from the panelling.
The doorway is not self-supporting and must always be fixed to the walls.
The pivot door th. 50 (always without rabbets) can be produced without handle, with Superquadro handle or Customer's own handle (subject to prior assessment by the Molteni technical office).
The doorway has its own specific hardware to avoid having to drill holes in the floor.

Specific hardware is available for free installation of doors th. 50 to avoid having to drill holes in the floor. Supplementary charge code **FEPP01**

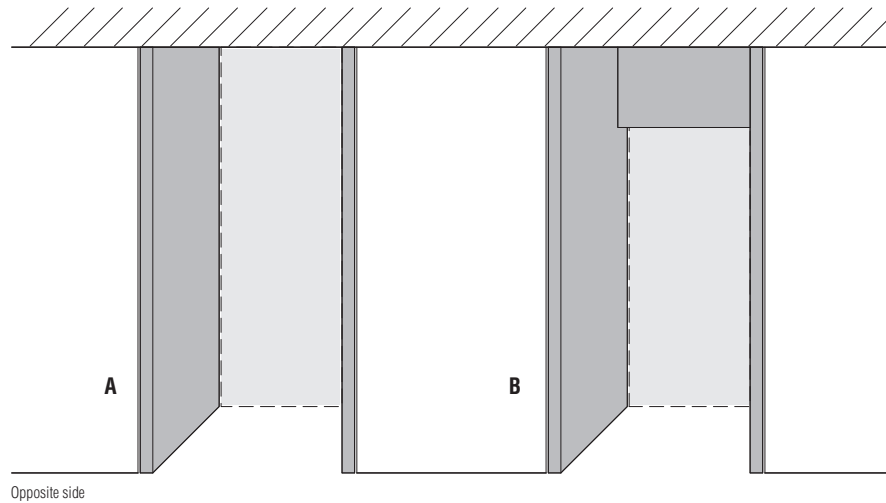
Molteni & C

31—
31

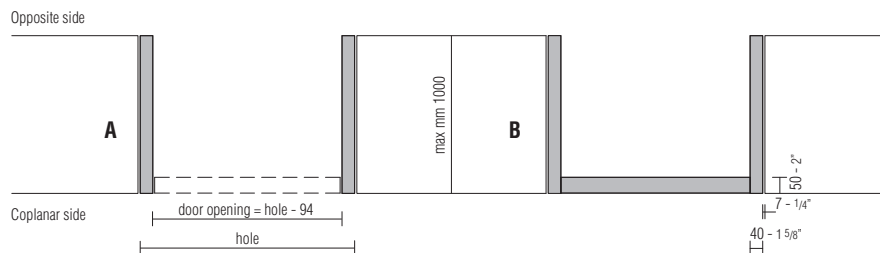


One-piece side panels are used to make doorways for floor-ceiling heights up to 3000 mm.

Upper side panels are added to make doorways for floor-ceiling heights exceeding 3000 mm.
For openings up to W 1200 mm (single door), the maximum height is 4500 mm.
For door openings wider than 1200 mm (double door), the maximum height is 4200 mm.



Plan



Example of fixing to structural profiles

DATASHEET

REGISTERED
DESIGN

2025