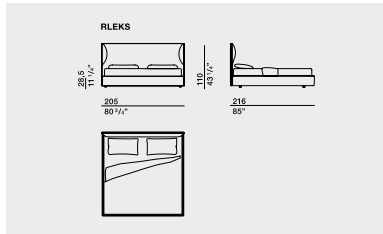


RIBBON

VINCENT VAN DUYSSEN

TECHNICAL DRAWING



Ribbon is a fabulously soft textile bed with a young, modern design, using natural materials. Ribbon, by Vincent Van Duysen, marks the Flemish designer's debut with Molteni&C. The textile or leather upholstery hooks up to a ribbon, with leather details, that runs all the way round the headboard and bed and serves both a structural and an aesthetic purpose. As in a rosette, the soft and inviting silhouette underlines the familiarity of the object. The tall and softly padded headboard makes it a highly contemporary product, suitable for the most discerning customers. The upholstery slip-cover is fully detachable.

AVAILABLE IN

A. Upholstery
Kupido K3943



B. Trim
Extra Leather L216



Colors are to be considered as purely indicative

DATASHEET

REGISTERED
DESIGN

II.2018



TECHNICAL INFORMATION

HEADBOARD

Structure in veneer with foam rubber padding in varying densities. Velour cover.

BED SURROUND

Structure in solid and multi-layer wood with moulded polyurethane padding and velour cover.

FEET

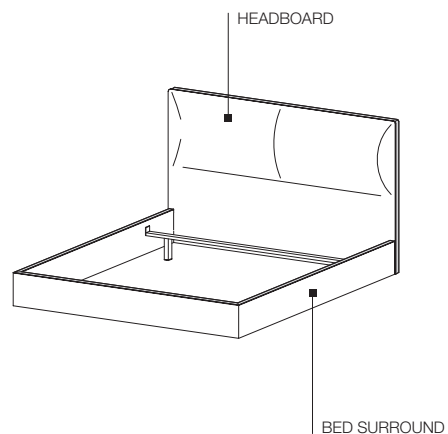
Anodised aluminium with floor slides in non-slip plastic.

REMOVABLE OUTER COVERS

(See specific card for the cover).

MATTRESS-BASE SPACER

Plastic.



DATASHEET

REGISTERED
DESIGN

II.2018