

Molteni & C

D.235.1 - D.235.2 MONTECATINI CHAIR — GIO PONTI 1938 / 2012

1—
2



Gio Ponti designed everything for the first Montecatini building in Largo Donegani in Milan in 1938, architecture and furnishings including desks, lamps, wardrobes. This re edition is produced based on the original drawings from the Gio Ponti Archives. Entirely built from polished aluminium.

Gio Ponti designed the first Montecatini building at Largo Donegani in Milan in 1938 He designed everything, architecture and furnishings: desks, chairs, lamps and wardrobes. With the approval of the Ponti heirs, in 2014 Molteni is reworking the Montecatini chair, with a seat and seatback covered in hide leather, following the all-aluminium version.

DATASHEET

REGISTERED
DESIGN

IX.2018

D.235.1 - D.235.2
MONTECATINI CHAIR –
 GIO PONTI
 1938 / 2012

FINISHES

Entirely built from polished aluminium.
 Version with seat and backrest covered in hide leather from the Molteni hide leather range.
 Hide leather cover not removable.

HIDE LEATHER FINISHES
 natural - black - dark brown
 white - ivory - dove grey
 red - hazelnut - tobacco
 hunter green - mud green - almond

Molteni & C

TECHNICAL INFORMATION

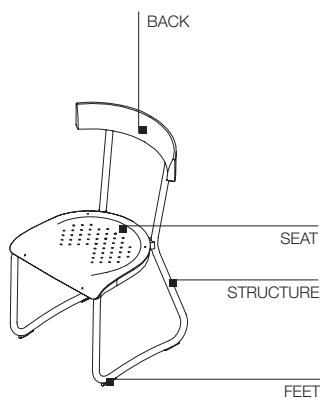
STRUCTURE
 Tubular structure in extruded folded aluminium. Glossy finish created by mechanical brushing.

SEAT AND BACK
 Unit in moulded aluminium. Glossy finish created by mechanical brushing.

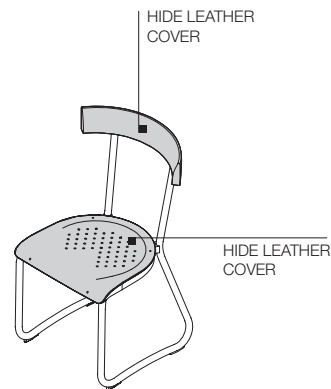
FEET
 Plastic.

SEAT AND BACK COVER (HIDE LEATHER VERSION)
 Non-removable hide leather cover in the colours in the collection.

2—
 2



D.235.1



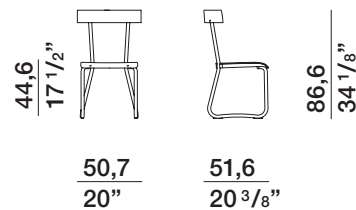
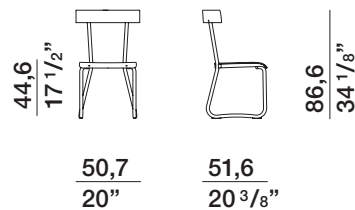
D.235.2

DIMENSIONS

chair

D.235.1

D.235.2



DATASHEET

REGISTERED
 DESIGN

IX.2018

