

# Molteni & C

## PANNA COTTA — RON GILAD 2012

1—  
2



Panna Cotta low table oval or round. At once delicate and heavy, the paradox lies in the use of materials such as marble and iron to achieve a fragile stability. A small table, it has a slight wave on top reminiscent of the typical Italian soft dessert, from which it takes its name.

**DATASHEET**

REGISTERED  
DESIGN

2026

**moltenigroup.com**

Dimensions in centimeters and inches. The right to discontinue and make changes is reserved. This information is based on the latest product information available at the time of printing.

## FINISHES

matt white lacquer with white Carrara marble  
matt black lacquer with black marquina marble  
matt lacquered green with green alpine marble (only for small round tables)

# Molteni & C

## TECHNICAL INFORMATION

### STRUCTURE

Welded drawn steel painted in the colours of the range. Nylon foot.

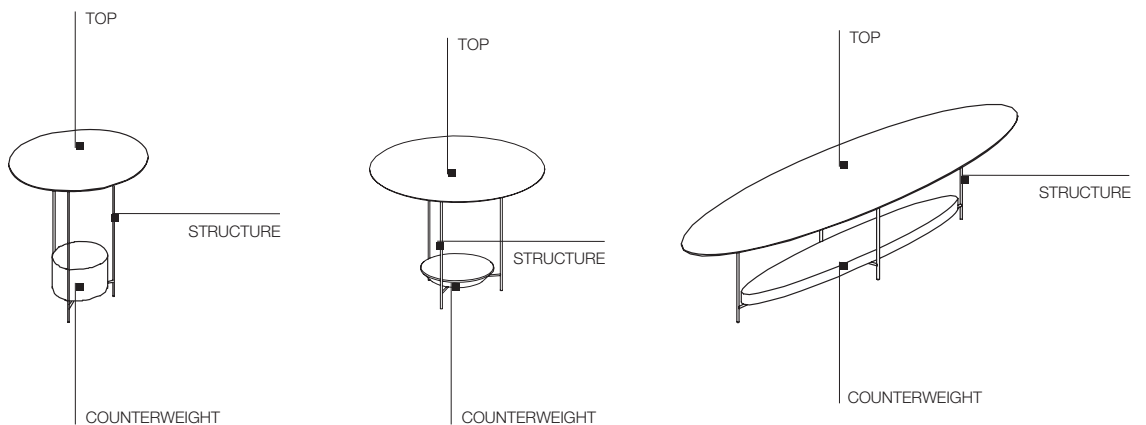
### TOP

Steel sheet painted in the colours of the range.

### COUNTERWEIGHT

Marble in the finishes of the range.

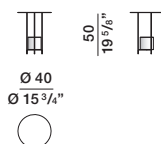
2—  
2



## DIMENSIONS

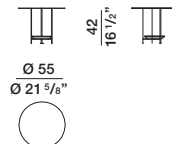
### small round table

#### GPT1



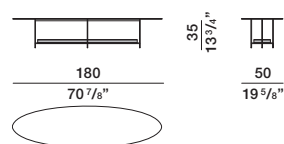
### small round table

#### GPT3



### oval small table

#### GPT2



## DATASHEET

REGISTERED  
DESIGN

2026