

# Molteni & C

## HONEY — ARIK LEVY 2009

1—  
4



A simple but elegant bed characterized by its upholstery in fabric or leather, its materials and its tailoring, typical of the most refined “couturiers”. Honey is a fabric bed with a modern line, a bed of limited size, designed to fit into various sleeping environments. The container below the mattress opens with a swing mechanism developed to ease access to the compartment. The front opens to allow access to a horizontal lift for comfortable bed making.

### DATASHEET

REGISTERED  
DESIGN

IX.2018

## FINISHES

### COVERS

fabric - leather, completely removable.

Only the fabric category ANDROMEDA can be used for the turn-up edging.

### FEET FINISHES

black lacquered metal (fixed bed version)

chrome steel (container bed version)

Available in fire-resistant version (TB117 and BS5852).

# Molteni & C

## TECHNICAL INFORMATION

### HEADBOARD

Structure in veneer with foam rubber padding in varying densities. Velour cover.

### BED SURROUND FIXED VERSION

Metal frame with foam rubber padding. Velour cover.

### BED SURROUND CONTAINER VERSION

Metal frame with polyurethane foam padding. Bonded velveteen lining. Chipboard border panels with melamine faced interior and matt black lacquer exterior.

### FEET FIXED VERSION

Lacquered steel with non-slip felt grips.

### FEET CONTAINER VERSION

Chrome steel with non-slip felt grips.

### BASES (FOR BED-BASE STORAGE CONTAINER)

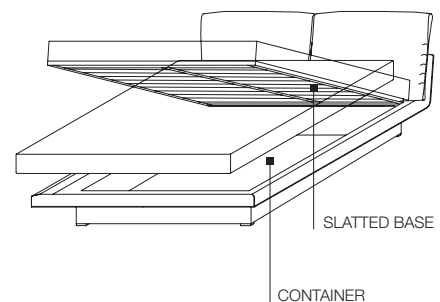
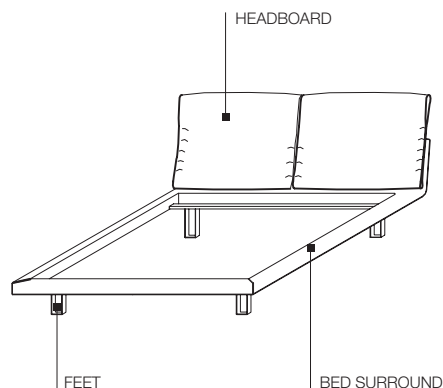
Melamine finished chipboard panelling with nylon positioning handles.

### REMOVABLE OUTER COVERS

(See attached card, specific for each cover).

### SLATTED BASE

Metal frame with wooden slats and double pump raising mechanism with two positions.

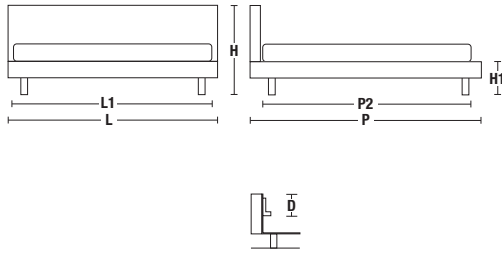


## DATASHEET

REGISTERED  
DESIGN

IX.2018

**DIMENSIONS**



OUTER DIMENSIONS			INNER DIMENSIONS		
L Width	P Length	H Height	L1 Width	P2 Length	D Space for insertion of the slatted base
106 41 3/4"	220 86 5/8" standard model	96 37 3/4"	100 39 3/8"	200 78 3/4" standard model	55 2 1/8"
126 49 5/8"	230 90 1/2" on request	H1 Bed base height	120 47 1/4"	210 82 3/4" on request	
166 65 3/8"	225 88 5/8" for OS/KS	30 11 7/8"	160 63"	205 80 3/4" for OS/KS	
176 69 1/4"			170 66 7/8"		
186 73 1/4"			180 70 7/8"		
QS159 62 5/8"			QS155 61"		
KS199 78 3/8"			KS195 76 3/4"		

**Molteni & C**

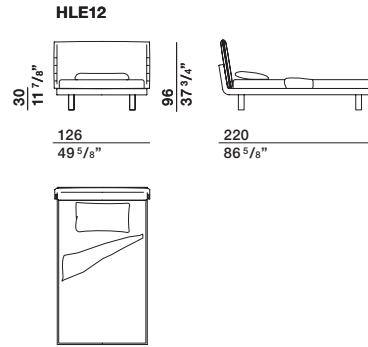
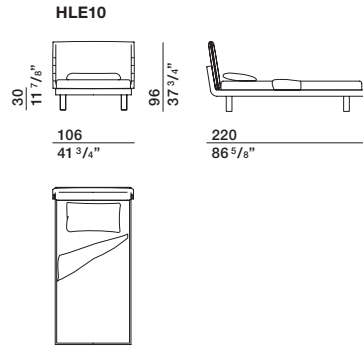
**Notes**

- Double single fixed net mattress supports can be inserted into beds HLE16 - HLE17 - HLE18 - HLEKS.
- The structure of the bed frame can be disassembled (with the exception of the container version).

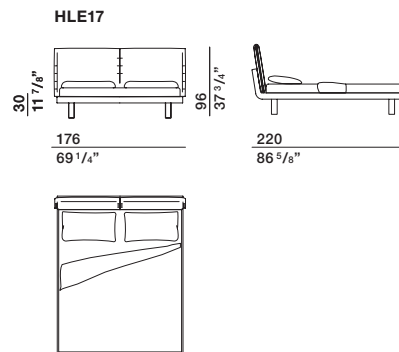
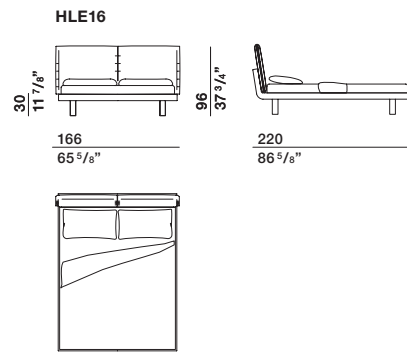
Depth of 210 cm (82 3/4") (inner measurement) is also available on HLE16 - HLE17 - HLE18. Beds HLE10 and HLE12 are not available in depths 210 cm (82 3/4") (inside size).  
Slatted bases with movement cannot be used.

3—  
4

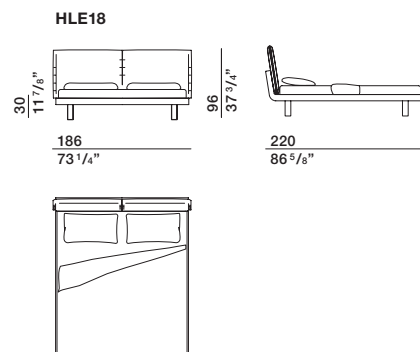
**beds for fixed slatted bases**



**beds for fixed slatted bases**



**beds for fixed slatted bases**



**DATASHEET**

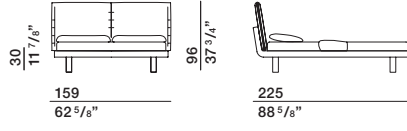
REGISTERED  
DESIGN

IX.2018

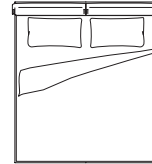
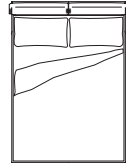
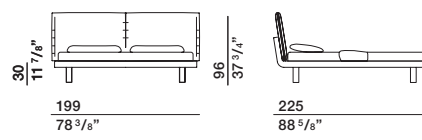
**DIMENSIONS**

**beds for fixed slatted bases**

**HLEQS**



**HLEKS**

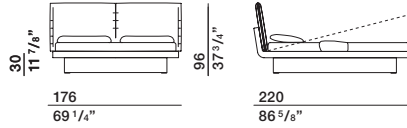


Molteni & C

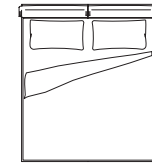
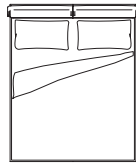
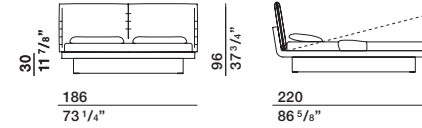
4—  
4

**double bed with slatted base  
and container under the slatted base**

**HLE17C**



**HLE18C**



**DATASHEET**

REGISTERED  
DESIGN

IX.2018