

Molteni & C

D.235.1 - D.235.2 MONTECATINI CHAIR — GIO PONTI 1938 / 2012

1—
2



Gio Ponti designed the first Montecatini building at Largo Donegani in Milan in 1938. He designed everything, architecture and furnishings: desks, lamps, wardrobes and the Montecatini chair. With the approval of the Ponti heirs, Molteni is reworking the Montecatini chair D.235.1 entirely in aluminium and the D.235.2 version with a seat and seatback covered in hide leather.

DATASHEET

REGISTERED
DESIGN

IX.2021

D.235.1 - D.235.2
MONTECATINI CHAIR –
 GIO PONTI
 1938 / 2012

Molteni & C

2—
 2

FINISHES

Version entirely built from polished aluminium.

Version with seat and backrest covered in hide leather from the Molteni hide leather range: natural, black, dark brown, white, ivory, dove grey, red, hazelnut, tobacco, hunter green, mud green, almond.

NOTES

Hide leather cover NOT removable.

TECHNICAL INFORMATION

STRUCTURE

Tubular structure in extruded folded aluminium. Glossy finish created by mechanical brushing.

SEAT AND BACK

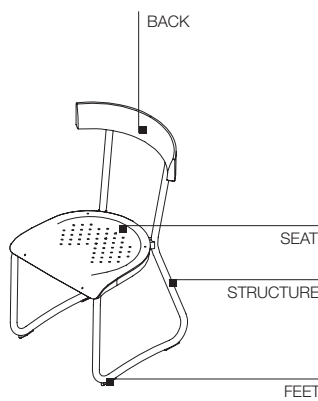
Unit in moulded aluminium. Glossy finish created by mechanical brushing.

FEET

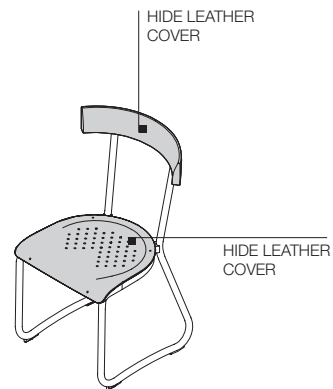
Plastic.

SEAT AND BACK COVER (HIDE LEATHER VERSION)

Non-removable hide leather cover in the colours in the collection.



D.235.1



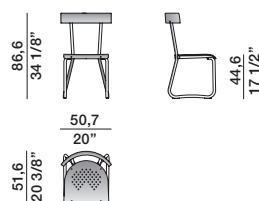
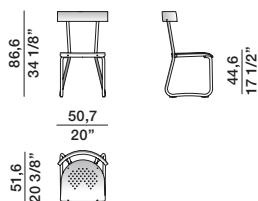
D.235.2

DIMENSIONS

chairs

D.235.1

D.235.2



DATASHEET

REGISTERED
 DESIGN

IX.2021