

Molteni & C

EUSTON — RODOLFO DORDONI 2018

1—
3



A new collection of poufs with a simple but sophisticated design. Two different and complementary versions, both featuring generous and rigorous geometric shapes, enriched by the elegant backstitched seat. A raised version in which the seat is supported by a pewter-finish metallic base. Or the more reassuring geometry of the floor version, embellished by an almost invisible pewter-finish metal frame. Two different dimensions for both the designs, to meet the multiple requirements of contemporary furnishing.

DATASHEET

REGISTERED
DESIGN

IX.2018

FINISHES

Covers are completely removable, both for fabric and leather versions.

STRUCTURE FINISH

pewter colour

TECHNICAL INFORMATION

STRUCTURE INTERIOR

Frame made of solid Fir (Picea abies) and chipboard, with elastic straps.

STRUCTURE PADDING

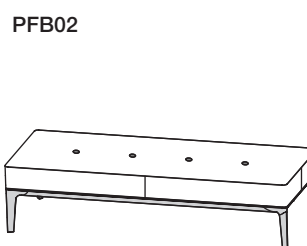
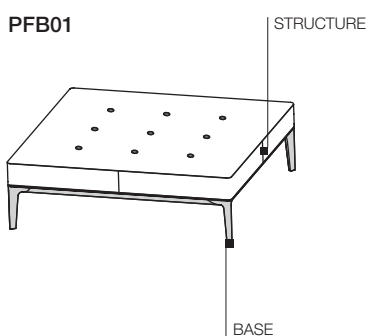
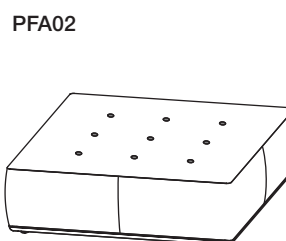
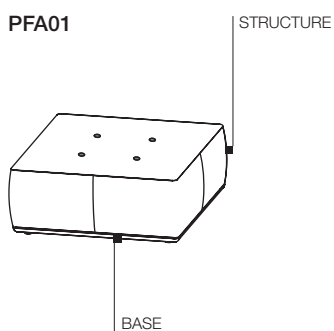
High capacity variable density foam polyurethane. Light velvet cover.

BASE

In painted aluminum with non-slip plastic tips.

OUTER COVER REMOVABLE BY EXPERT PERSONNEL

(See attached card, specifically for the cover).



DATASHEET

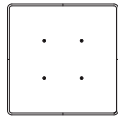
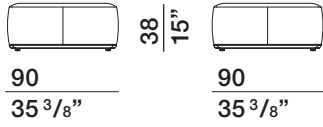
REGISTERED
DESIGN

IX.2018

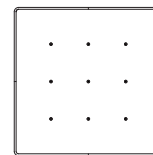
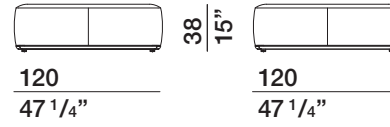
DIMENSIONS

pouf

PFA01



PFA02

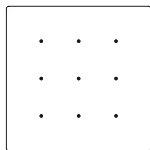
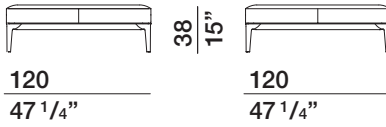


Molteni & C

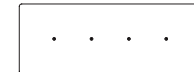
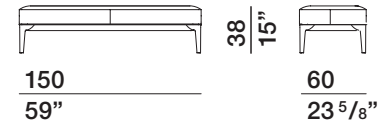
3—
3

pouf

PFB01



PFB02



DATASHEET

REGISTERED
DESIGN

IX.2018

moltenigroup.com

Dimensions in centimeters and inches. The right to discontinue and make changes is reserved. This information is based on the latest product information available at the time of printing.