

Molteni & C

PAUL — VINCENT VAN DUYSSEN 2016

1—
8



Paul is a set of elegantly proportioned sofas with reassuring lines, elements that emphasize Vincent Van Duysen's expressive rationality. The project includes linear sofas, angular compositions, chaises longues and islands, all with a single seat cushion. Paul features generous dimensions, distinctive double seams and great comfort, elements that look good, even in the center of the room. The impression is lightweight, accentuated by the neat design of the pressure die-cast aluminum feet. Items featuring considerable depth complete the project, for a comfortable, luxurious and cosy way of sitting.



This symbol shows that the product has removable upholstery. Only qualified personnel can remove the upholstery of some of our products. If this information is pertinent, it will be included in the warnings section.



This symbol shows that the product is available on request in a fire resistant version that complies with the standards BS 5852 and TB 117-2013. The buyer is responsible for checking to make sure that the product is suitable and compliant with the requirements for the designated use and the current applicable laws and standards for the destination and use of the product.

DATASHEET

REGISTERED
DESIGN

IX.2020

FINISHES

BASE FINISH

pewter colour
black chrome painted
shiny aluminium

TECHNICAL INFORMATION

STRUCTURE INTERIOR

Frame made of solid Fir (Picea abies) and chipboard, with elastic straps.

STRUCTURE PADDING

High capacity variable density foam polyurethane. Light velvet cover.

SEAT CUSHION

Insert in shaped polyurethane and sterilised feathers. 100% cotton cover.

BACK CUSHIONS

Polyester fibre, sterilised feathers. 100% cotton cover.

FEET

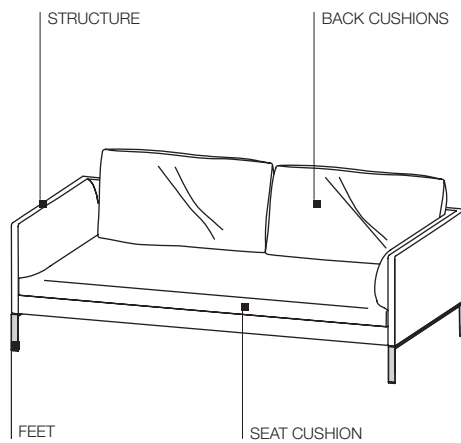
In die cast metal with non-slip plastic tips.

REMOVABLE OUTER COVER

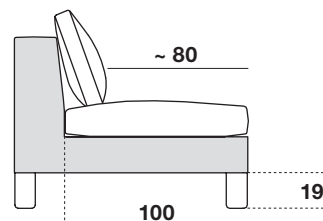
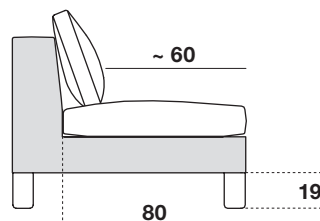
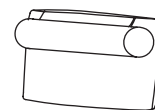
(See attached card, specifically for the cover).



AVAILABLE IN FIRE-RESISTANT
VERSION TB117 AND BS5852



BACKREST CUSHION
WITH ROLL



DATASHEET

REGISTERED
DESIGN

IX.2020

DEPTH 100 cm

Seat depth for structure only, 80 cm
Seat depth with backrest cushion, ~ 60 cm
Feet height 19 cm (from ground to under seat)

DEPTH 120 cm

Seat depth for structure only, 100 cm
Seat depth with backrest cushion, ~ 80 cm
Feet height 19 cm (from ground to under seat)

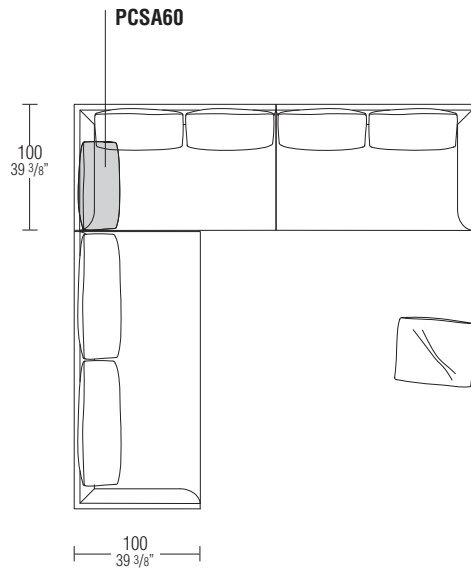
Notes

- ▶ It is possible to combine sofas with different depths.
- ▶ At the time of ordering, specify the typology of the backrests (with or without the roller).
If backrests with rollers are selected, specify the quantity.
- ▶ At the time of ordering, it is possible to choose between two types of seat cushions: STANDARD or SOLID (more rigid).
If no specifications are indicated, the STANDARD type will be confirmed.

EXAMPLE OF COMPOSITIONS

Molteni & C

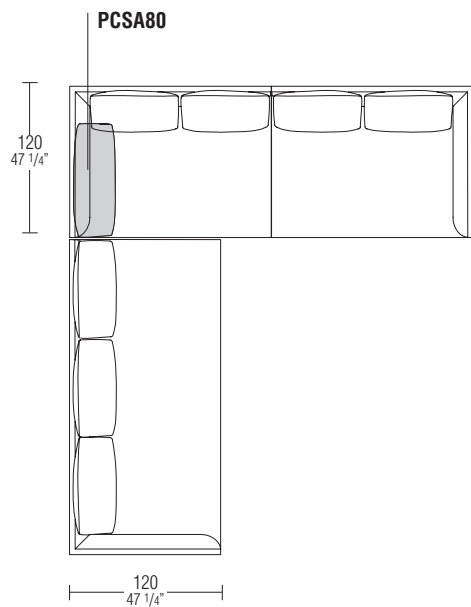
3—
8



Attention:

in compositions with corner
please add a corner cushion:
for elements with D 100 **cod. PCSA60**
for elements with D 120 **cod. PCSA80**

Corner cushions can also be fitted with headrest
rollers



DATASHEET

REGISTERED
DESIGN

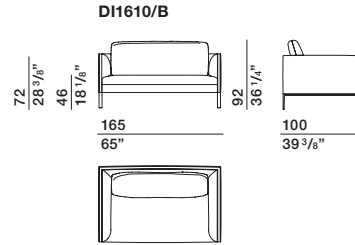
IX.2020

DIMENSIONS

Paul depth 100

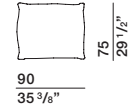


backrest cushions W 65

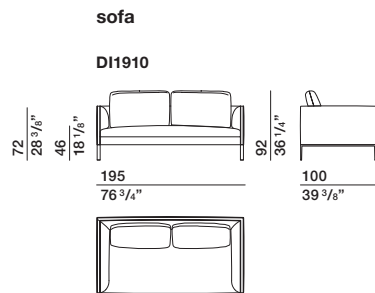


backrest cushion W 100

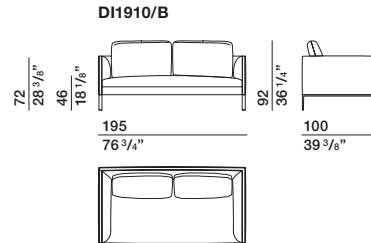
**ornamental
cushion
PCU90/75**



**for adding the
headrest roller
to the backrest
cushion**

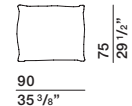


backrest cushions W 80

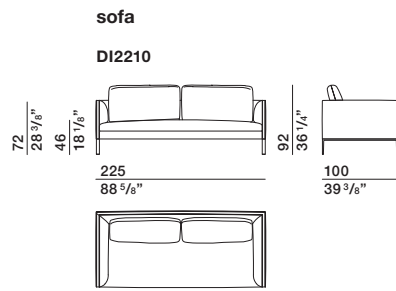


backrest cushions W 65

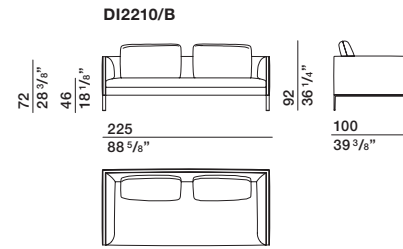
**ornamental
cushion
PCU90/75**



**for adding the
headrest roller
to the backrest
cushion**

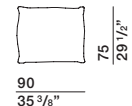


backrest cushions W 95

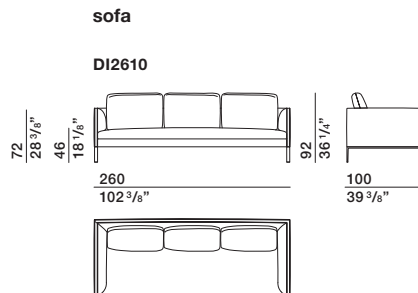


backrest cushions W 80

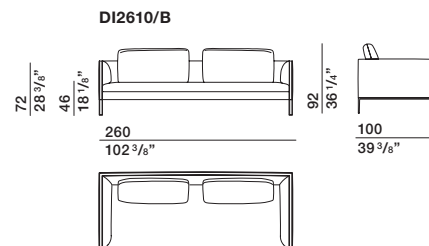
**ornamental
cushion
PCU90/75**



**for adding the
headrest roller
to the backrest
cushion**

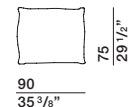


backrest cushions W 75



backrest cushions W 95

**ornamental
cushion
PCU90/75**



**for adding the
headrest roller
to the backrest
cushion**



DATASHEET

REGISTERED
DESIGN

IX.2020

DIMENSIONS

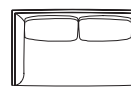
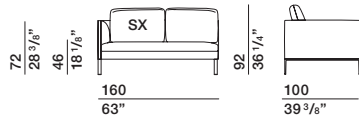
Paul depth 100

Molteni & C

5—
8

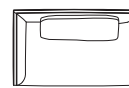
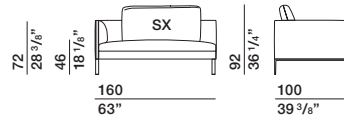
end element

TE1610 dx - sx



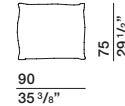
backrest cushions W 70

TE1610/B dx - sx



backrest cushion W 100

**ornamental cushion
PCU90/75**



for adding the
headrest roller
to the backrest
cushion



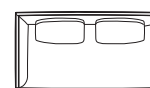
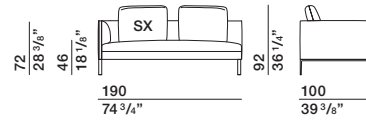
end element

TE1910 dx - sx



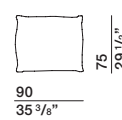
backrest cushions W 85

TE1910/B dx - sx



backrest cushions W 65

**ornamental cushion
PCU90/75**

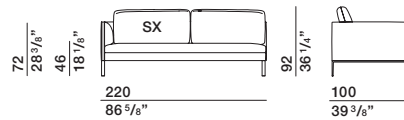


for adding the
headrest roller
to the backrest
cushion



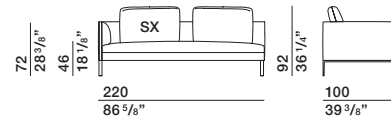
end element

TE2210 dx - sx



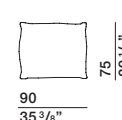
backrest cushions W 100

TE2210/B dx - sx



backrest cushions W 80

**ornamental cushion
PCU90/75**

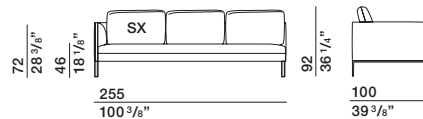


for adding the
headrest roller
to the backrest
cushion



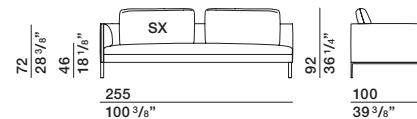
end element

TE2510 dx - sx



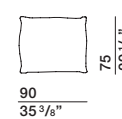
backrest cushions W 80

TE2510/B dx - sx



backrest cushions W 95

**ornamental cushion
PCU90/75**



for adding the
headrest roller
to the backrest
cushion



DATASHEET

REGISTERED
DESIGN

IX.2020

DIMENSIONS

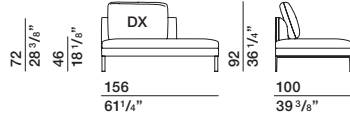
Paul common elements

Molteni & C

6—
8

island element

IS1510 dx - sx



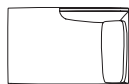
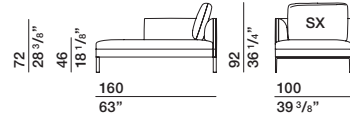
backrest cushions W 80

for adding the headrest roller to the backrest cushion



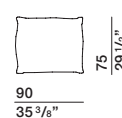
chaise longue

CL1610 dx - sx



backrest cushion W 80

ornamental cushion PCU90/75

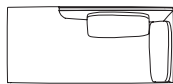
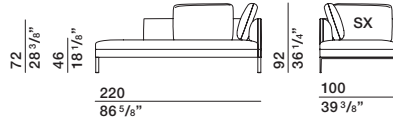


for adding the headrest roller to the backrest cushion



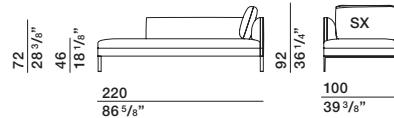
chaise longue

CL2210 dx - sx



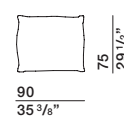
backrest cushion W 80

CL2210/B dx - sx



backrest cushion W 80

ornamental cushion PCU90/75



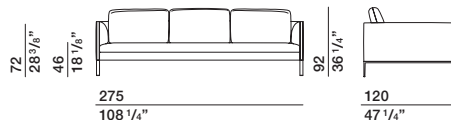
for adding the headrest roller to the backrest cushion



Paul depth 120

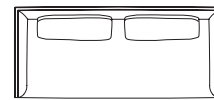
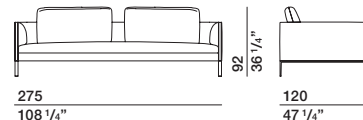
sofa

DI2712



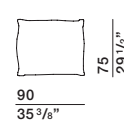
backrest cushions W 80

DI2712/B



backrest cushions W 95

ornamental cushion PCU90/75



for adding the headrest roller to the backrest cushion



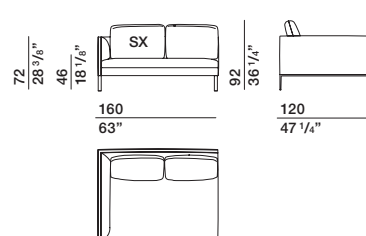
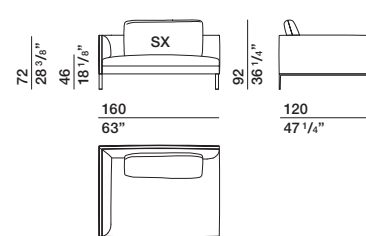

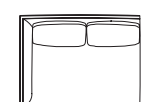
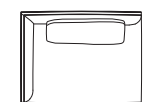
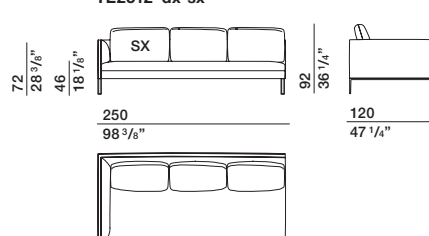
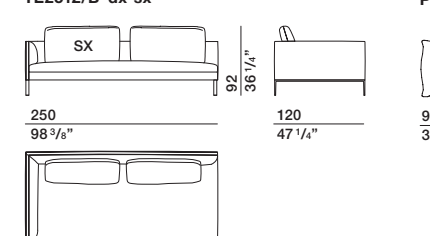
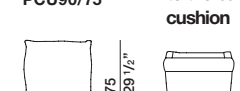

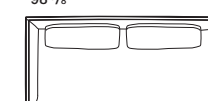
DATASHEET

REGISTERED
DESIGN

IX.2020

DIMENSIONS

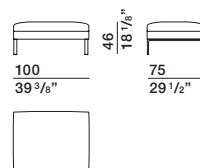
Paul depth 120

end element		ornamental cushion PCU90/75		for adding the headrest roller to the backrest cushion
TE1612 dx-sx	TE1612/B dx-sx			
				
backrest cushions W 70		backrest cushion W 100		
end element		ornamental cushion PCU90/75		for adding the headrest roller to the backrest cushion
TE2512 dx-sx	TE2512/B dx-sx			
				
backrest cushions W 80		backrest cushions W 95		

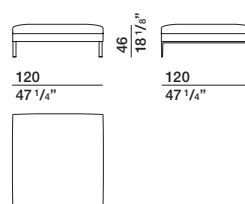
Paul common elements

pouf

PF1075



PF1212



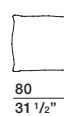
corner cushion

PCSA60



corner cushion

PCSA80

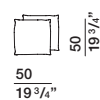


for adding the headrest roller to the backrest cushion



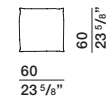
pair of additional cushions

CCQ/50



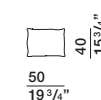
additional cushion

CU/60



additional cushion

CU50/40



DATASHEET

REGISTERED
DESIGN

IX.2020

code	gross weight kg.	volume mc.	packages	code	gross weight kg.	volume mc.	packages
CL1610	64	1,527	1	PF1075	22,5	0,505	1
CL2210	89	2,148	1	PF1212	40	0,946	1
CL2210/B	89	2,148	1	TE1610	68	1,626	1
DI1610	73,5	1,619	1	TE1610/B	68	1,626	1
DI1610/B	73,5	1,619	1	TE1612	86	1,868	1
DI1910	90	1,861	1	TE1612/B	86	1,868	1
DI1910/B	90	1,861	1	TE1910	79	1,794	1
DI2210	104	2,139	1	TE1910/B	79	1,794	1
DI2210/B	104	2,139	1	TE2210	92	2,013	1
DI2610	117	2,46	1	TE2210/B	92	2,013	1
DI2610/B	117	2,46	1	TE2510	110	2,424	1
DI2712	130	3,123	1	TE2510/B	110	2,424	1
DI2712/B	130	3,123	1	TE2512	117	2,703	1
IS1510	57	1,474	1	TE2512/B	117	2,703	1