

# Molteni & C

## NICK — LUCA NICHETTO 2015

1—  
3



Its striking aesthetic balance is the result of the refined and perfectly proportioned design of the individual components. Distinctive sign of the strong personality of the designer who signed it. The chrome-plated metal structural elements give the project great lightness. Contrasting stitchings on headboard and surround highlight the elegant proportions of the bed. With a broad choice of textile and leather upholstery, this is an impressive piece of furniture ripe for customization.

**In case of customer slatted base and/or mattress, check the correspondence of the measurements with the standard ones in the price list.**



This symbol shows that the product has removable upholstery. Only qualified personnel can remove the upholstery of some of our products. If this information is pertinent, it will be included in the warnings section.



This symbol shows that the product is available on request in a fire resistant version that complies with the standards BS 5852 and TB 117-2013. The buyer is responsible for checking to make sure that the product is suitable and compliant with the requirements for the designated use and the current applicable laws and standards for the destination and use of the product.

DATASHEET

REGISTERED  
DESIGN

IX.2020

[moltenigroup.com](http://moltenigroup.com)

Dimensions in centimeters and inches. The right to discontinue and make changes is reserved. This information is based on the latest product information available at the time of printing.

**FINISHES**

**FEET FINISHES**

black chrome - pewter colour

**TECHNICAL INFORMATION**

**HEADBOARD**

Frame in solid wood from the solid Fir (Picea Abies) and chipboard panels. Padding in high-capacity, variable density polyurethane foam. Light velvet cover.

**BED SURROUND**

Metal frame with polyurethane foam padding. Light velvet cover.

**FEET**

Pressure diecast aluminium with floor slides in non-slip plastic material.

**REMOVABLE OUTER COVERS**

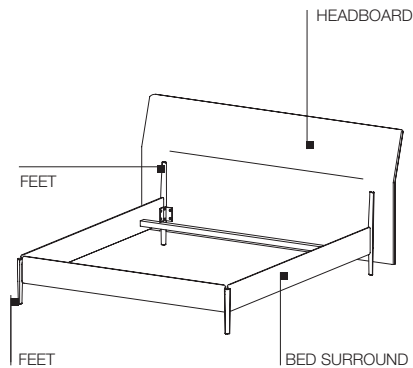
(See attached card, specific for each cover).

**MATTRESS-BASE SPACER**

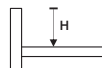
Plastic.



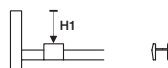
AVAILABLE IN FIRE-RESISTANT  
VERSION TB117 AND BS5852



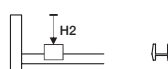
WITHOUT SPACER



WITH SPACER (1)



WITH SPACER (2)



MATTRESS-BASE  
SPACER

**Mattress-base height adjustment**

without spacer H 10

with spacer (1) H1 8

with spacer (2) H2 6

**DATASHEET**

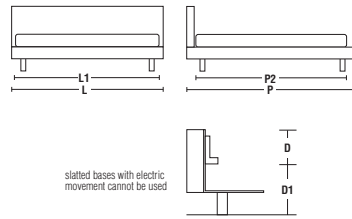
REGISTERED  
DESIGN

IX.2020

## DIMENSIONS

### Notes

- ▶ Depth of 210 cm (82 3/4") (inner measurement) is also available on NLO16 - NLO17 - NLO18 - NLO20.
- ▶ Slatted bases with electric movement cannot be used.

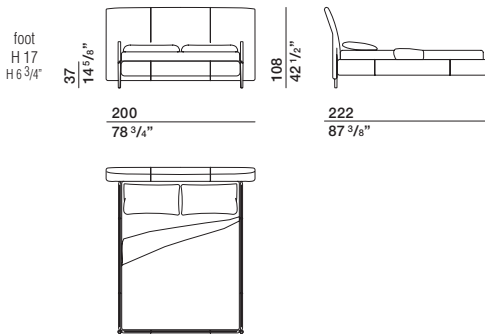


	INNER DIMENSIONS		OUTER DIMENSIONS			D / D1 Space for insertion of the slatted base
	L1 Width	P2 Length	Bed base	L Total width	P Length	
<b>NLO16</b>	160 63"	200 78 3/4" standard model *	168 66 1/8"	200 78 3/4"	222 87 3/8" standard model *	<b>6 / 31</b> 2 3/8" / 9 1/4"
<b>NLO17</b>	170 66 7/8"	200 78 3/4" standard model *	178 70 1/8"	210 82 3/4"	222 87 3/8" standard model *	<b>8 / 29</b> 3 1/8" / 11 3/8"
<b>NLO18</b>	180 70 7/8"	200 78 3/4" standard model *	188 74"	220 86 5/8"	222 87 3/8" standard model *	<b>10 / 27</b> 3 7/8" / 10 5/8"
<b>NLOKS</b>	195,5 77"	205 80 3/4"	203,5 80 1/8"	235,5 92 3/4"	227 89 3/8"	
<b>NLO20</b>	200 78 3/4"	200 78 3/4" standard model *	208 81 7/8"	235,5 92 3/4"	222 87 3/8" standard model *	

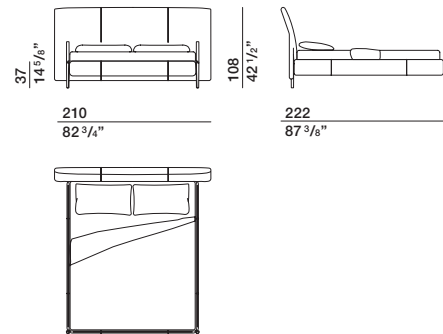
\* 210 on request 82 3/4"      \* 232 on request 91 3/8"

### bed taking a single slatted base or 2 individual slatted bases

#### NLO16

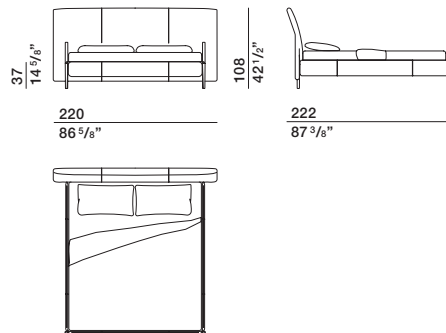


#### NLO17



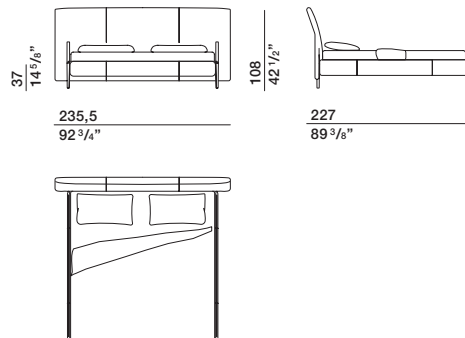
### bed taking a single slatted base or 2 individual slatted bases

#### NLO18

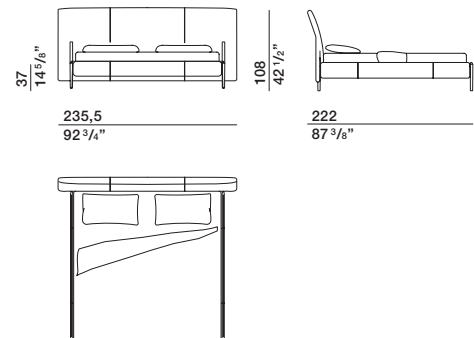


### bed taking a single slatted base or 2 individual slatted bases

#### NLOKS



#### NLO20



Molteni & C

3—  
3

DATASHEET

REGISTERED  
DESIGN

IX.2020

moltenigroup.com

Dimensions in centimeters and inches. The right to discontinue and make changes is reserved. This information is based on the latest product information available at the time of printing.