

# Molteni & C

## D.235.1 - D.235.2 MONTECATINI CHAIR — GIO PONTI 1938 / 2012

1—  
2



Gio Ponti designed the first Montecatini building at Largo Donegani in Milan in 1938. He designed everything, architecture and furnishings: desks, lamps, wardrobes and the Montecatini chair. With the approval of the Ponti heirs, Molteni is reworking the Montecatini chair D.235.1 entirely in aluminium and the D.235.2 version with a seat and seatback covered in hide leather.

### DATASHEET

REGISTERED  
DESIGN

IX.2020

D.235.1 - D.235.2  
**MONTECATINI CHAIR** –  
 GIO PONTI  
 1938 / 2012

**Molteni & C**

2—  
 2

**FINISHES**

Version entirely built from polished aluminium.

Version with seat and backrest covered in hide leather from the Molteni hide leather range: natural, black, dark brown, white, ivory, dove grey, red, hazelnut, tobacco, hunter green, mud green, almond.

**NOTES**

**Hide leather cover NOT removable.**

**TECHNICAL INFORMATION**

**STRUCTURE**

Tubular structure in extruded folded aluminium. Glossy finish created by mechanical brushing.

**SEAT AND BACK**

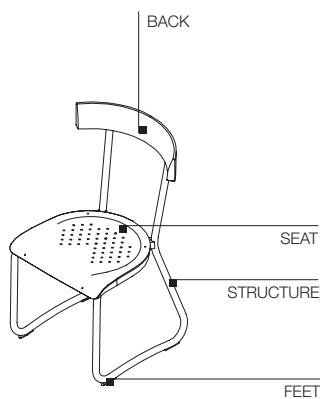
Unit in moulded aluminium. Glossy finish created by mechanical brushing.

**FEET**

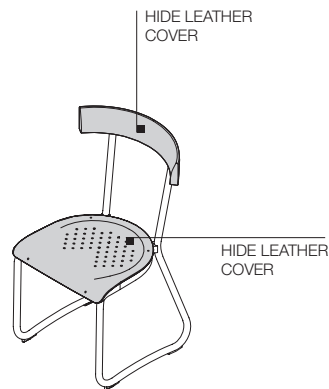
Plastic.

**SEAT AND BACK COVER (HIDE LEATHER VERSION)**

Non-removable hide leather cover in the colours in the collection.



D.235.1



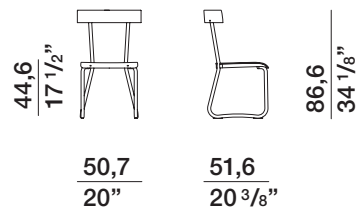
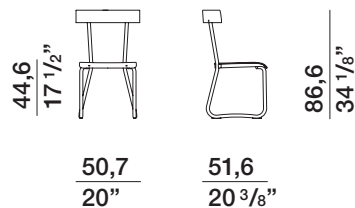
D.235.2

**DIMENSIONS**

chair

**D.235.1**

**D.235.2**



**DATASHEET**

REGISTERED  
 DESIGN

IX.2020