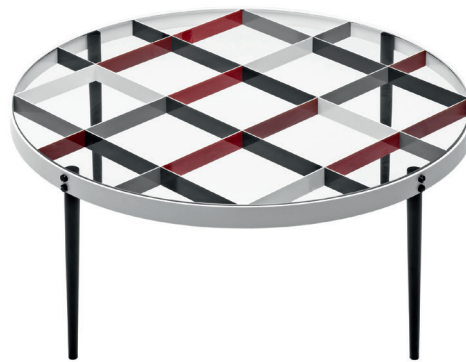


Molteni & C

D.555.1 SMALL TABLE — GIO PONTI 1954-55 / 2012

1—
2



From Gio Ponti's house, located in via Dezza in Milan, the small table D.555.1, designed in 1954-1955, is produced by Molteni&C based on the original drawings from the Gio Ponti Archives. Metal hand painted structure and glass top.

DATASHEET

REGISTERED
DESIGN

IX.2020

D.555.1
SMALL TABLE—
GIO PONTI
1954-55 / 2012

FINISHES

Metal legs.
Grid is hand painted in different colours.
The top is made of transparent glass.

Molteni & C

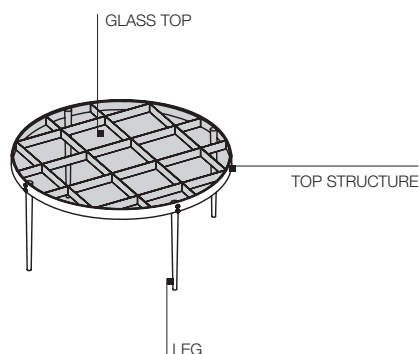
TECHNICAL INFORMATION

TOP STRUCTURE
Grid in hand painted steel.

GLASS TOP
Tempered glass thickness 5 mm transparent extra light.

LEG
In painted steel with plastic for floor placement.

2—
2



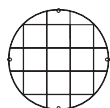
DIMENSIONS

small table

D.555.1



Ø 80
Ø 31 1/2"



DATASHEET

REGISTERED
DESIGN

IX.2020

moltenigroup.com

Dimensions in centimeters and inches. The right to discontinue and make changes is reserved. This information is based on the latest product information available at the time of printing.