

# Molteni & C

## D.151.4 ARMCHAIR — GIO PONTI 1951 / 2017

1—  
2



Always passionate about nautical furnishings, Gio Ponti gained direct experience in four ocean liners and two cruise ships upgraded or built from scratch after the war, between 1949 and 1951: the Conte Grande, Africa, Oceania, Conte Biancamano, Andrea Doria and Giulio Cesare. Ponti designed this easy chair with slight variants for these ships.



This symbol shows that the product has removable upholstery. Only qualified personnel can remove the upholstery of some of our products. If this information is pertinent, it will be included in the warnings section.



This symbol shows that the product is available on request in a fire resistant version that complies with the standards BS 5852 and TB 117-2013. The buyer is responsible for checking to make sure that the product is suitable and compliant with the requirements for the designated use and the current applicable laws and standards for the destination and use of the product.

### DATASHEET

REGISTERED  
DESIGN

IX.2020

D.151.4  
ARMCHAIR –  
GIO PONTI  
1951 / 2017

Molteni & C

2 –  
2

## FINISHES

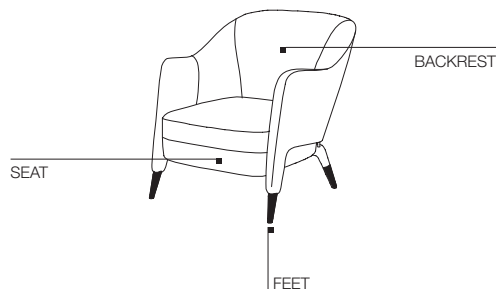
STRUCTURE FINISH  
solid American walnut

## TECHNICAL INFORMATION

- AESTHETIC STRUCTURE IN SOLID AMERICAN WALNUT;
- SOLID WOOD SEAT WITH ELASTIC BANDS AND FILLER IN MULTI-DENSITY POLYURETHANE;
- CONTOURED BACKREST MADE FROM METAL CROSSPIECES AND INJECTION MOULDED POLYURETHANE FILLER;
- BRASS FERRULES;
- FLOOR SLIDES IN NON-SLIP PLASTIC;
- PRODUCT WITH COMPLETELY REMOVABLE COVER, FOR BOTH FABRIC AND LEATHER VERSIONS.



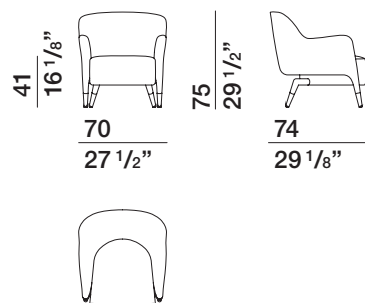
AVAILABLE IN FIRE-RESISTANT  
VERSION TB117 AND BS5852



## DIMENSIONS

armchair

D.151.4



## DATASHEET

REGISTERED  
DESIGN

IX.2020

moltenigroup.com

Dimensions in centimeters and inches. The right to discontinue and make changes is reserved. This information is based on the latest product information available at the time of printing.