

Molteni & C

505 UP - SIDEBOARD — NICOLA GALLIZIA 2021

1—
5



505 UP Sideboard is the natural evolution of 505 UP in its process of simplification and interpretation of contemporary living requirements. A sideboard with a thousand nuances, like the many variants and combinations of its front pieces. As versatile and functional as 505 UP System but with dedicated depth and a dual option for the base: floor standing plinth, or metal base for a lighter and more aerial version. 505 UP Sideboard experiences the house in all its facets, from living room to dining room, from bedroom to the entrance, the custom solution for every situation and spatial need.

DATASHEET

REGISTERED
DESIGN

IX.2022

MODULARITY

Measurements

Side panel th 16 mm (5/8")
Central partition th 32 mm (1 1/4")

Internal module widths:
448 - 608 - 928 - 1248 mm
17 5/8" - 23 7/8" - 36 1/2" - 49 1/8"

Floor heights (without top):
436 - 628 - 820 - 1204 mm
17 1/8" - 24 3/4" - 32 1/4" - 47 3/8"

Heights with BASE (without top):
577 - 769 - 961 - 1345 mm
22 3/4" - 30 1/4" - 37 7/8" - 53"

Structure depth 500 mm (19 5/8") :
Depth with front th 22 (7/8") = 526 mm (20 3/4")
Depth with front th 35 = 539 mm (21 1/4")

Notes

Width reductions are possible for the frame and wooden hinged doors with th. 22 (7/8")

Max. composition length with base mm 2880 (113 3/8") (3 modules W 928 - 36 1/2").

Compositions with height changes are not possible.

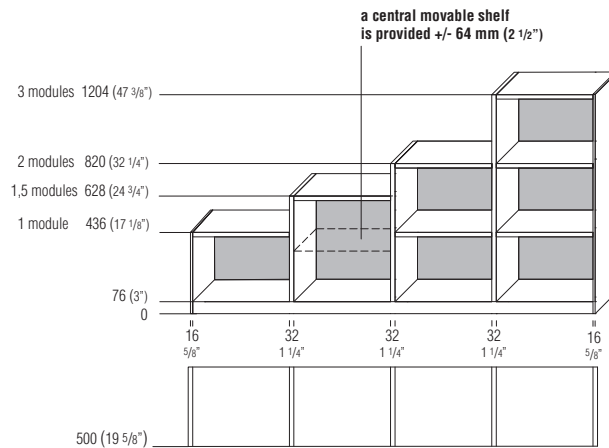
The plinth is supplied in one piece up to max. length 3808 mm (149 7/8").

We do not recommend sideboards with open compartments.

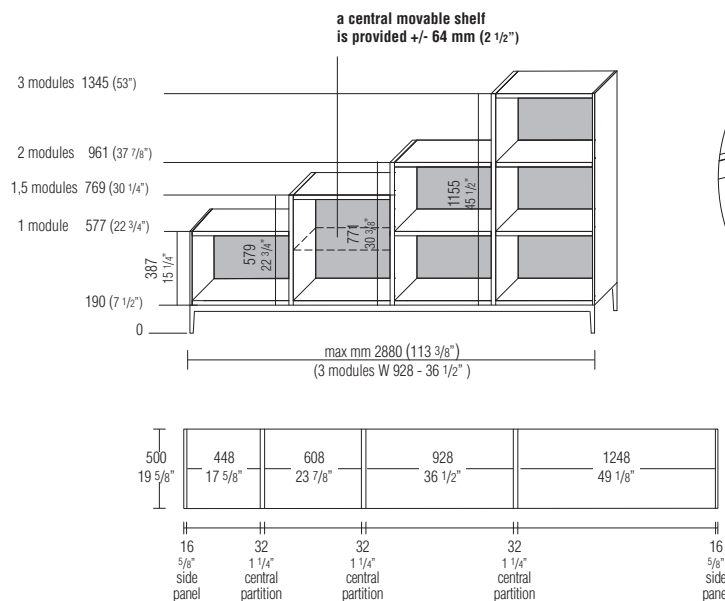
Molteni & C

2—
5

Modular heights and depths for floor elements with plinth H 76



Modular heights and depths for floor elements with metal base H 190 (BASE)



DATASHEET

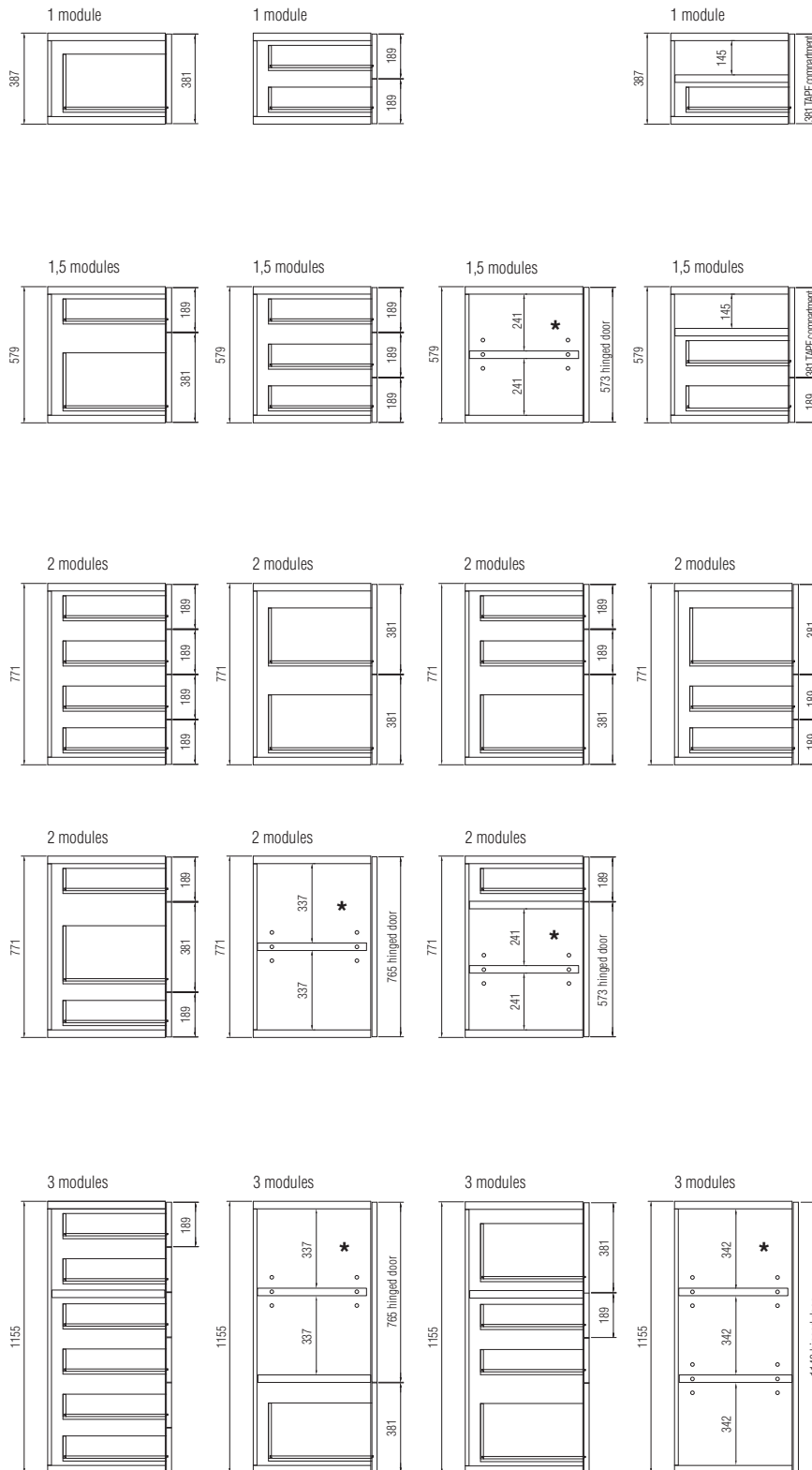
REGISTERED
DESIGN

IX.2022

MODULARITY

Molteni & C

3
5



* movable internal shelf +/- 64 mm as standard

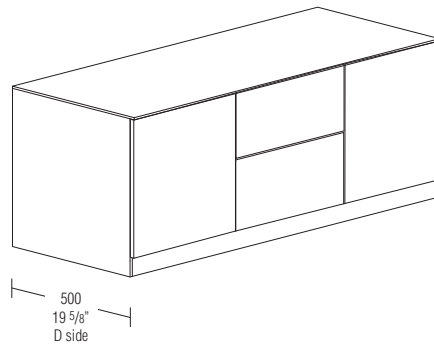
DATASHEET

REGISTERED
DESIGN

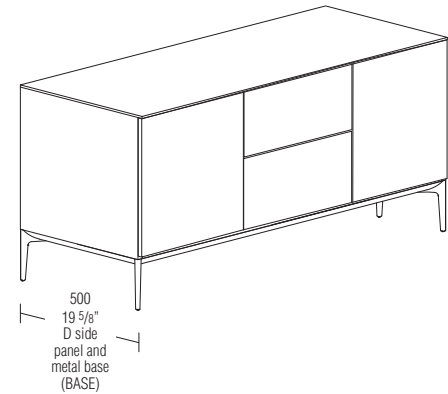
IX.2022

FINISHES

with plinth H 76



with metal base H 190 (BASE)



Molteni & C

4 —
5

finishes

finishes	matt lacquer colours	glossy lacquer colours	glaze	woods	special woods	pewter colour / copper / iris	transparent glass	stopsol transparent glass	net glass	Eco Skin	coloured glass/ coloured etched glass	marble
----------	----------------------	------------------------	-------	-------	---------------	-------------------------------	-------------------	---------------------------	-----------	----------	---------------------------------------	--------

components

32 mm th. structure and plinth												
back panels												
tops												
door opening th. 35 mm (drawers)												
doors / external drawers with pressure opening th 22 mm												
door frame glass th. 35 mm	profile											
	glass											
door frame Eco Skin th. 35 mm	profile											
	Eco Skin											
door with profile th. 22 mm	profile											
	panel											
metal base (BASE)												

colours

Matt lacquer	Glossy lacquer	Woods	Special woods	Coloured glass	Coloured etched glass	Eco Skin	Marble
BC chalk white	BC chalk white	EU eucalyptus	RT thermo oak	BC chalk white	BC chalk white	grey	white Carrara
PE pearl	PE pearl	RF graphite oak	RS sunrise oak	PE pearl	PE pearl	mink	orient grey
DN dune	DN dune			DN dune	DN dune	hemp	green alpine
PL platinum	PL platinum			PL platinum	PL platinum	ivory	black marquina
NE black	NE black			NE black	NE black	dark brown	calacatta gold (special price)
AT anthracite	AT anthracite			AT anthracite	AT anthracite	earth	
SE mustard	SE mustard			SE mustard	SE mustard	arctic	
SI silica	SI silica			SI silica	SI silica	taupe	
DO dolomite grey	DO dolomite grey			DO dolomite grey	DO dolomite grey		
AL clay	AL clay			AL clay	AL clay		
MK moka	MK moka			MK moka	MK moka		
CZ light blue grey	CZ light blue grey			CZ light blue grey	CZ light blue grey		
SA sand	SA sand			SA sand	SA sand		
RU ruby	RU ruby			RU ruby	RU ruby		
PX pewter colour	PX pewter colour			PX pewter colour	PX pewter colour		
RX copper	RX copper			RX copper	RX copper		
TO dove grey	TO dove grey			TO dove grey	TO dove grey		
PR petroleum blue	PR petroleum blue			PR petroleum blue	PR petroleum blue		
BG burgundy	BG burgundy			BG burgundy	BG burgundy		
LS london sky	LS london sky			LS london sky	LS london sky		
SU stardust	SU stardust			SU stardust	SU stardust		
ML moonlight	ML moonlight			ML moonlight	ML moonlight		
SP spice	SP spice			SP spice	SP spice		

DATASHEET

REGISTERED
DESIGN

IX.2022

moltenigroup.com

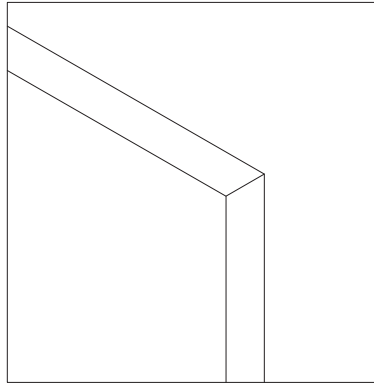
Dimensions in millimeters and inches. The right to discontinue and make changes is reserved. This information is based on the latest product information available at the time of printing.

FRONT DETAIL AND TOP

Molteni & C

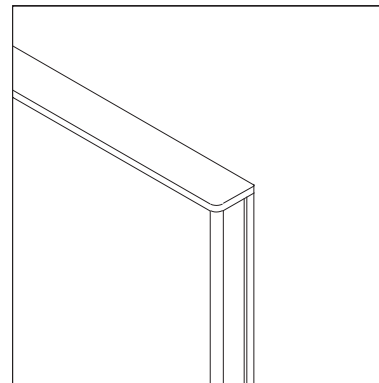
5 —
 5

th 22 mm

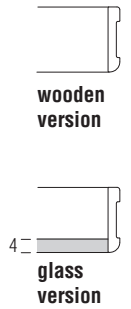


- wooden door
- wooden drawer
- TAPE compartment

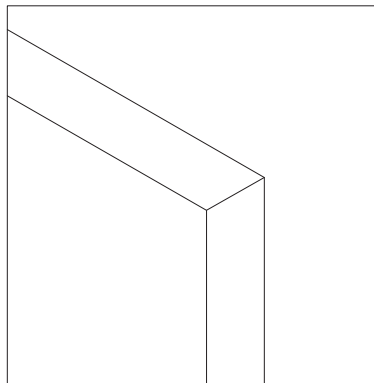
th 22 mm with profile



- wooden / glass door
- wooden / glass drawer
- TAPE compartment

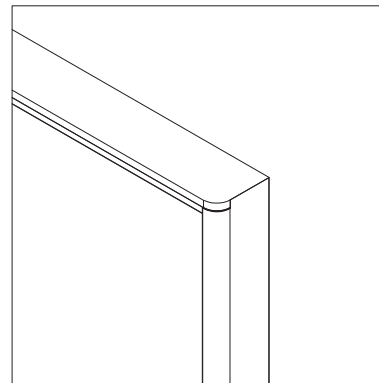


th 35 mm



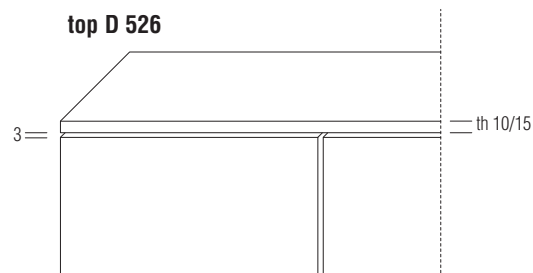
- wooden drawer
- TAPE compartment

th 35 mm frame

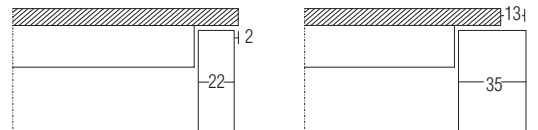


- glass door
- Eco Skin door

top D 526



- 10 mm th. wood
- 10 mm th. coloured glass
- 10 mm th. etched coloured glass
- 15 mm th. marble



DATASHEET

REGISTERED
 DESIGN

IX.2022