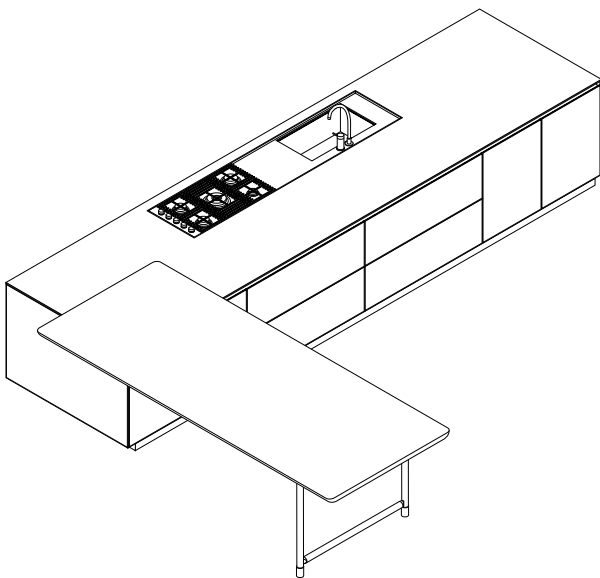


HI-LINE 6 FRAME DOOR DADA R&D 2018



FINISHES

Island
eucalyptus base units doors,
inox steel worktop,
pewter finger recess and skirting,
vvd hood with pewter structure
and eucalyptus shelves
Columns
pewter special metal
lacquered columns and eucalyptus
operating columns



PLUSES

- Framed door with dedicated finishes: wood/glass/Fenix®/laquered
- Finger recess opening without handles
- Shaped upper door profile to maximize the ergonomic grip
- Drawers electrical opening as optional
- Base cabinets available in 3 different depths
- Wide possibility of customization and matching with other collections

HI-LINE 6 FRAME DOOR

Finger recess opening kitchen



H. unit structure = 828 mm

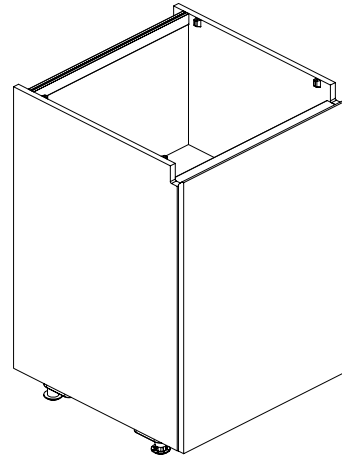
H. door = 797 mm

H. kitchen with 60 mm skirting = 888 mm

H. kitchen with 100 mm skirting = 928 mm

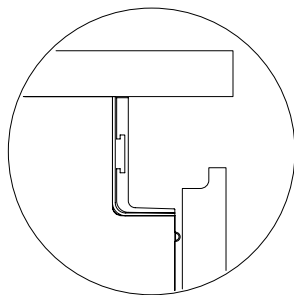
TH. door = 19 mm

D. Base = 331-595-745mm

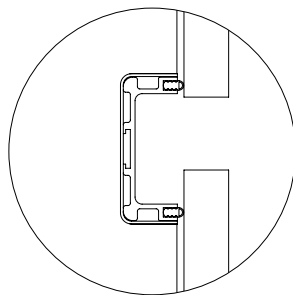


Horizontal finger recesses are used to open doors, drawers and pan drawers without handles. The finger recess can be selected as an opening method also for lower drawers and pan drawers, or a mechanical or electric push-pull opening can be selected as an alternative. Available finishes are Titan, Pewter, Bronze or matt lacquer in range colours.

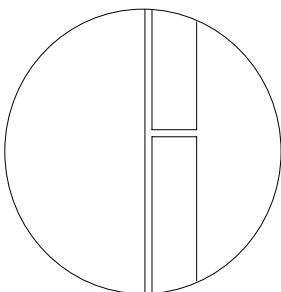
A
First front opening on top



B
Option with finger recess



C
Option with push-pull



Titan

Pewter

Bronze

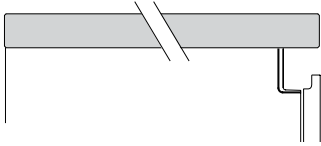
Matt lacquer in range colours



HI-LINE 6 FRAME DOOR

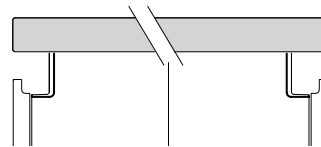
Worktop

Door th 19 mm



Wall composition

structure	worktop
331	356
595	620
745	770

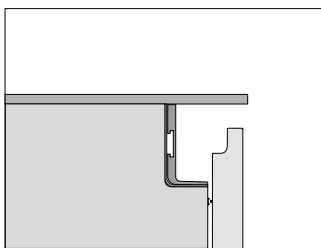


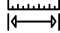
Island composition

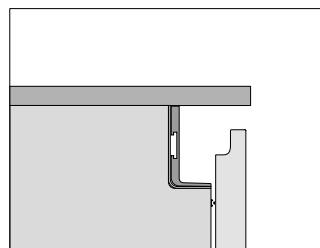
structure	worktop
595	645
745	745
331 + 595	976
331 + 745	1126
595 + 595	1240



Finishes categories

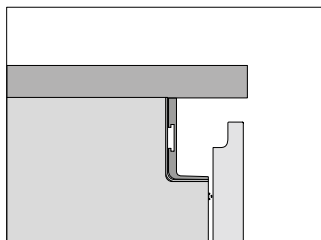


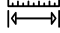
th 6 mm

FINISHES
 Stainless steel

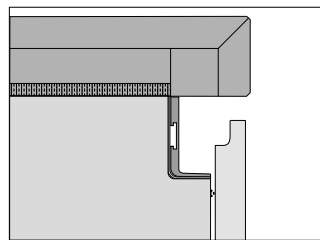


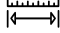
th 12 mm

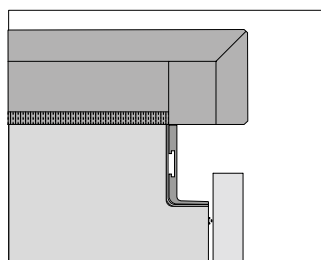
FINISHES
 Ceramic
 Steel
 Glass

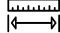


th 20 mm

FINISHES
 Laminate
 Fenix®
 Stones
 Steel



th 50 mm

FINISHES
 Laminate
 Fenix®
 Stones
 Silestone
 Dekton
 Cartapietra
 Corian®
 Steel



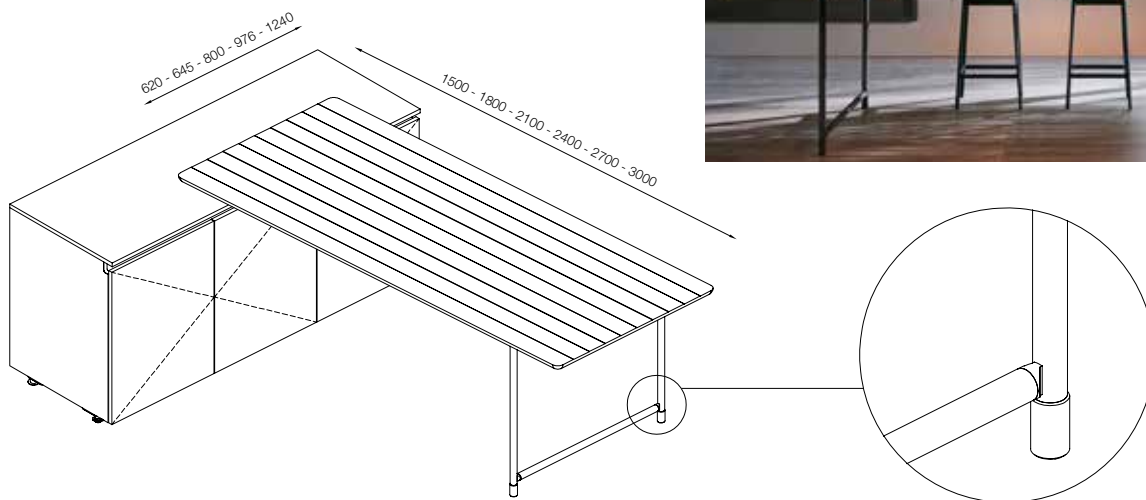
th 60 mm

FINISHES
 Stones

HI-LINE 6 FRAME DOOR

Dada

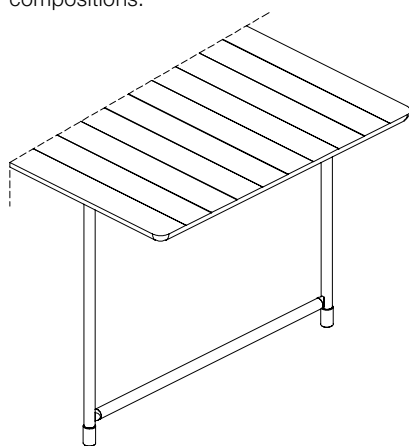
Snack — th 50 mm

Made of solid natural or black coloured oak, the Snack Hi-Line6 Frame Door top is designed to fit in with all kitchens in the Dada collection. It can be combined with the tubular support structure for projecting table compositions, or built into the worktop for island-peninsula compositions.



Frame

Made of solid natural or black coloured oak, the Snack Hi-Line Frame Door top is designed to fit in with all kitchens in the Dada collection. It can be combined with the tubular support structure for projecting table compositions, or built into the worktop for island-peninsula compositions.



WORKTOP FINISHES

Solid natural oak
Black coloured oak

STRUCTURE FINISHES

Pewter
Titan
Bronze

Compositions



FINISHES

HL6 FRAMEDOOR_ISLAND

Slate structure
 Eucalyptus base unit doors with pewter
 Aluminum frame
 Inox steel top with welded sink, cooktop and
 Socket
 Eucalyptus side panels with pewter aluminum
 Frame
 Light oak solid wood snack with pewter
 Structure
 Pewter horizontal finger recess
 Pewter skirting h.60
 All base units with internal
 Led lights

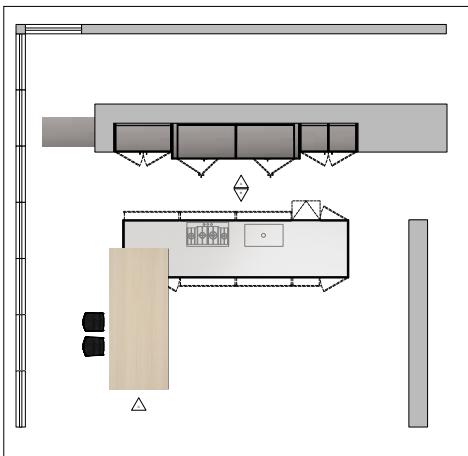
HL6 FRAMEDOOR_COLUMNS

Slate structure
 Pewter metal lacquered external doors
 Pewter handles mod. Tivali & more
 Pewter skirting h.60

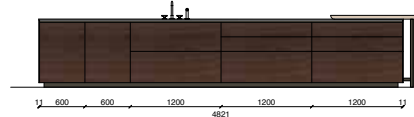
HL6 FRAMEDOOR_TECHNICAL COLUMNS

Slate structure
 Eucalyptus doors
 Eucalyptus side panels
 Pewter handles mod. Tivali & more
 Eucalyptus internal drawer and shelves
 Steel pull-out top
 Lighted back panels
 Led light and socket integrated
 Pewter skirting h.60

PLAN VIEW



FRONT VIEW



DOWNLOAD THE 2D/3D FILES

HI-LINE 6 FRAME DOOR



Modularity

MODULE	LENGTH	HEIGHT	DEPTH	DOOR THICKNESS	DOOR THICKNESS WITH HANDLE
BASES	300 450 600 900 1200*	828	331 595 745*	19	

Door finishes

LX
FENIX® NTM | PRICE RANGE 9

KOS WHITE	MALÉ WHITE	LUXOR BEIGE	WHITE	CHALK WHITE	PEARL
EFESO GREY	INGO BLACK	ARIZONA BEIGE	SILICA	SAND	DUNE
OTTAWA CASTORO	ANTRIM GREY	LONDON GREY	LIGHT GREY	DOVE GREY	PLATINUM
BROMO GREY			CLAY	DOLOMITE	LEAD

ES
WOODS | PRICE RANGE 10

LIGHT OAK	WALNUT	EUCALYTPUS	ANTHRACITE	BLACK	COPPER
GRAPHITE OAK	GREY OAK	DARK WALNUT	LONDON SKY	STARDUST	MOONLIGHT
BLACK OAK	THERMO OAK	LIGHT ELM	SPICE		
DARK ELM	DARK PALM				

LSH
SPECIAL LACQUERED | PRICE RANGE 7

METAL HYBRID BRONZE	METAL HYBRID SLATE
---------------------	--------------------

VASP
ETCHED MIRROR GLASS | PRICE RANGE 9

ETCHED MIRROR GLASS

VVA, VAA
GLASS | PRICE RANGE 9