

Molteni & C

NICK — LUCA NICHETTO 2015

1—
3



Its striking aesthetic balance is the result of the refined and perfectly proportioned design of the individual components. Distinctive sign of the strong personality of the designer who signed it. The chrome-plated metal structural elements give the project great lightness. Contrasting stitchings on headboard and surround highlight the elegant proportions of the bed. With a broad choice of textile and leather upholstery, this is an impressive piece of furniture ripe for customization.

DATASHEET

REGISTERED
DESIGN

IX.2018

moltenigroup.com

Dimensions in centimeters and inches. The right to discontinue and make changes is reserved. This information is based on the latest product information available at the time of printing.

FINISHES

COVERS

fabric - leather, completely removable.

FEET FINISHES

black chrome - pewter colour

Available in fire-resistant version (TB117 and BS5852).

Molteni & C

TECHNICAL INFORMATION

HEADBOARD

Frame in solid wood from the solid Fir (Picea Abies) and chipboard panels. Padding in high-capacity, variable density polyurethane foam. Light velvet cover.

BED SURROUND

Metal frame with polyurethane foam padding. Light velvet cover.

FEET

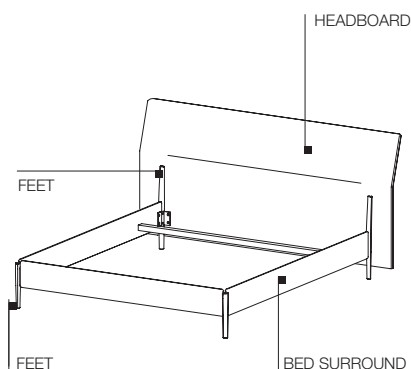
Pressure diecast aluminium with floor slides in non-slip plastic material.

REMOVABLE OUTER COVERS

(See attached card, specific for each cover).

MATTRESS-BASE SPACER

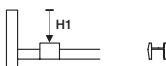
Plastic.



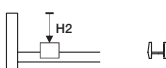
WITHOUT SPACER



WITH SPACER (1)



WITH SPACER (2)



Mattress-base height adjustment

without spacer H 10

with spacer (1) H1 8

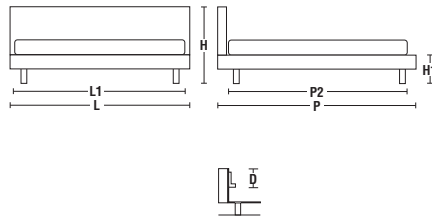
with spacer (2) H2 6

DATASHEET

REGISTERED
DESIGN

IX.2018

DIMENSIONS



OUTER DIMENSIONS

L Width		P	H
Bed base	Total width	Total length	Height
168	200	222	108
66 3/8"	78 3/4"	87 3/8"	42 1/2"
178	210	232	H1
70 1/8"	82 3/4"	91 3/8"	Bed base height
188	220	232	38
74"	86 5/8"	91 3/8"	15"
KS203,5	KS235,5	227	
80 1/8"	92 3/4"	89 3/8"	
208	235,5	227	
81 7/8"	92 3/4"	89 3/8"	

INNER DIMENSIONS

L1	P2	D
Width	Length	Space for insertion of the slatted base
160	200	6
62"	78 3/4"	2 3/8"
170	210	8
66 7/8"	82 3/4"	3 1/8"
180	210	10
70 7/8"	82 3/4"	3 7/8"
KS195,5	205	
77"	80 3/4"	
200	200	
78 3/4"	78 3/4"	

Depth of 210 cm (82 3/4") (inner measurement) is also available on NLO16 - NLO17 - NLO18 - NLO20.

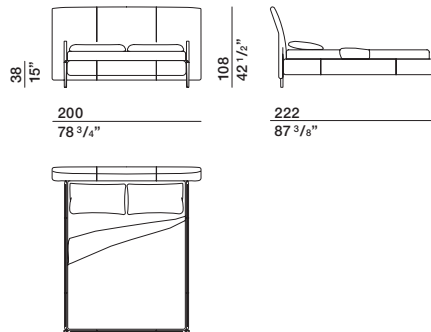
Slatted bases with electric movement cannot be used.

Molteni & C

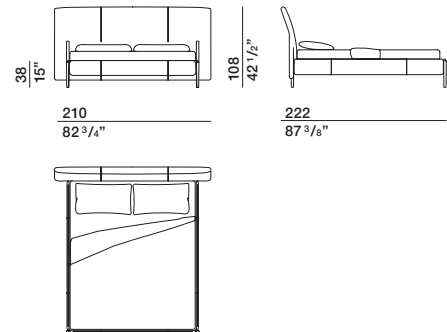
3—
3

bed taking a single slatted base or 2 individual slatted bases

NLO16

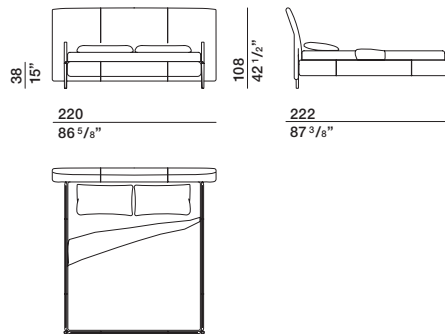


NLO17



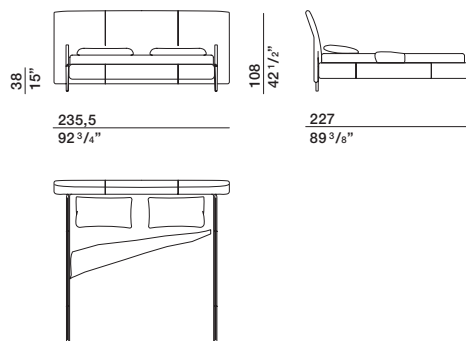
bed taking a single slatted base or 2 individual slatted bases

NLO18

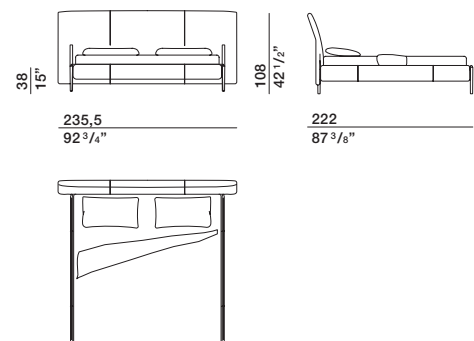


bed taking a single slatted base or 2 individual slatted bases

NLOKS



NLO20



DATASHEET

REGISTERED
DESIGN

IX.2018