

Molteni & C

HOLIDAY — FERRUCCIO LAVIANI 2013

1—
5



Ferruccio Laviani proposes a new concept sofa: narrative, evocative, less basic, more decorative, based on emotional comfort. Holiday features a wrap-around back against which the cushions are arranged, a light frame, chic, comfy, characterful seats, sartorial techniques for the details, and a host of different fabrics and leathers.



This symbol shows that the product has removable upholstery. Only qualified personnel can remove the upholstery of some of our products. If this information is pertinent, it will be included in the warnings section.



This symbol shows that the product is available on request in a fire resistant version that complies with the standards BS 5852 and TB 117-2013. The buyer is responsible for checking to make sure that the product is suitable and compliant with the requirements for the designated use and the current applicable laws and standards for the destination and use of the product.

DATASHEET

REGISTERED
DESIGN

IX.2021

moltenigroup.com

Dimensions in centimeters and inches. The right to discontinue and make changes is reserved. This information is based on the latest product information available at the time of printing.

FINISHES

FEET FINISHES

shiny chrome - pewter colour

TECHNICAL INFORMATION

STRUCTURE INTERIOR

Frame made of solid fir (*Picea abies*) and chipboard, with elastic straps.

STRUCTURE PADDING

High capacity variable density foam polyurethane. Light velvet cover.

SEAT CUSHIONS

Insert in shaped polyurethane and sterilised feathers. 100% cotton cover.

BACK CUSHIONS

Mixture of unravelled corn fibre and polyester fibre obtained from regenerated materials (solotex) with 100% cotton cover with compartments.

FEET

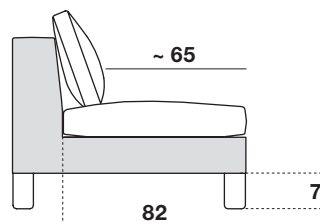
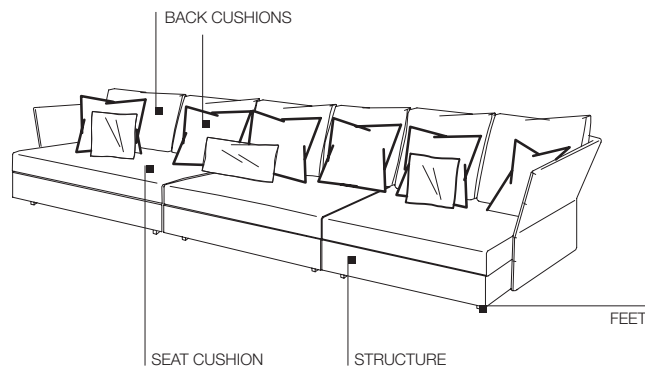
Chrome plated or painted steel, with non slip plastic floor rests.

REMOVABLE OUTER COVERS

(See attached card, specific for each cover).



AVAILABLE IN FIRE-RESISTANT
VERSION TB117 AND BS5852



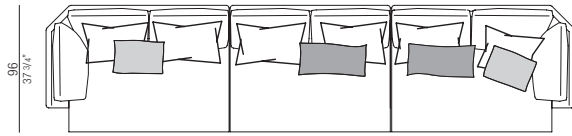
DATASHEET

REGISTERED
DESIGN

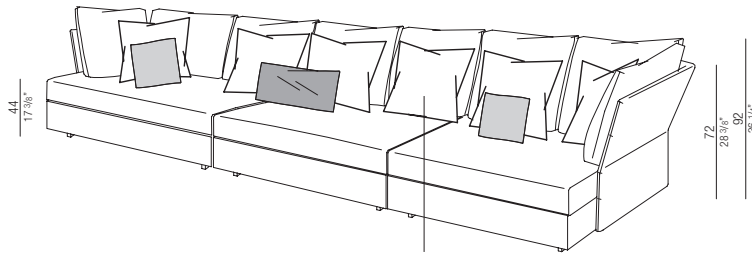
IX.2021

Seat depth for structure only, 82 cm
Seat depth with backrest cushion, ~ 65 cm
Feet high 7 cm (from ground to under seat)

DIMENSIONS



Molteni & C

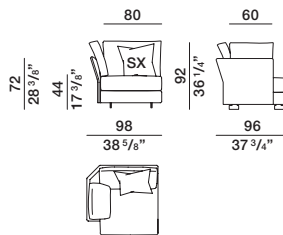


3—
5

the 50x50 (CS48) backrest cushion can be made in a category or colour different from the other parts of the element. If a different category is used, the pertinent price difference will be calculated

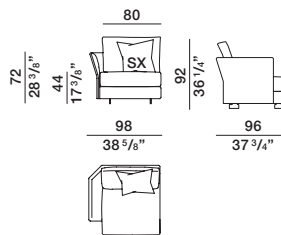
**end element
backrest variant A**

TE98A dx - sx



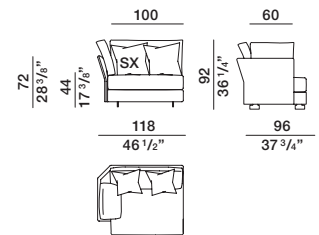
**end element
backrest variant B**

TE98B dx - sx



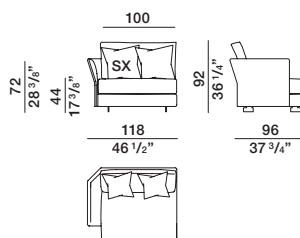
**end element
backrest variant A**

TE118A dx - sx



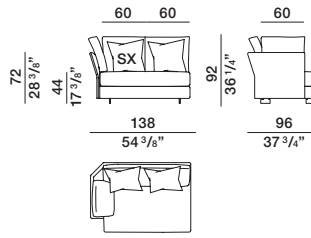
**end element
backrest variant B**

TE118B dx - sx



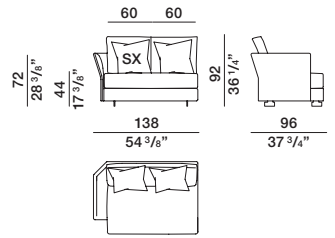
**end element
backrest variant A**

TE138A dx - sx



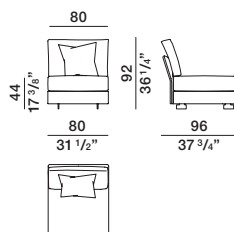
**end element
backrest variant B**

TE138B dx - sx

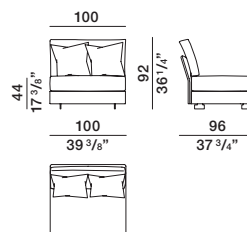


central element

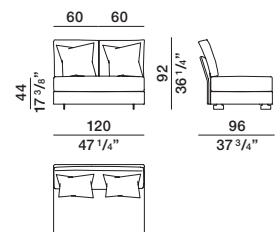
CE80



CE100



CE120



DATASHEET

REGISTERED
DESIGN

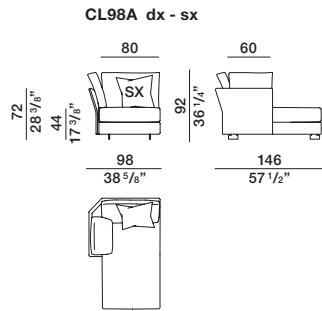
IX.2021

DIMENSIONS

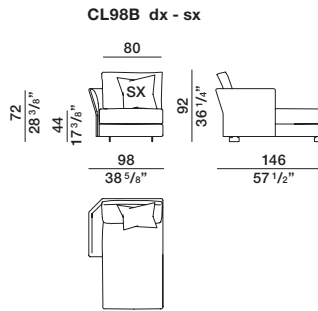
Molteni & C

4—
5

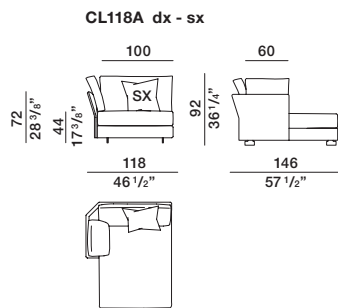
**chaise longue
backrest variant A**



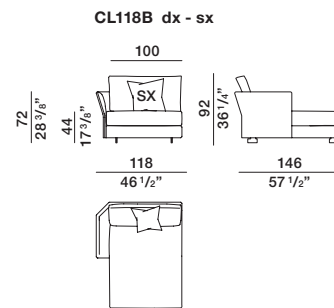
**chaise longue
backrest variant B**



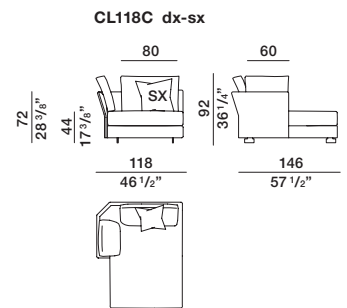
**chaise longue
backrest variant A**



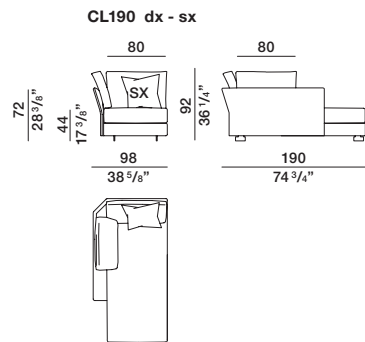
**chaise longue
backrest variant B**



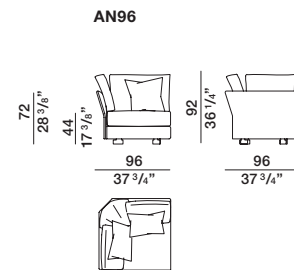
**chaise longue
backrest variant C**



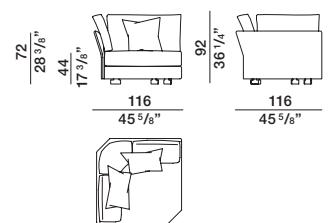
chaise longue



corner elements

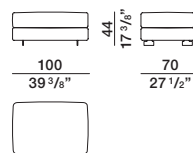


AN116

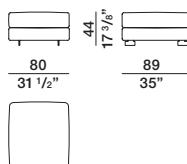


pouf

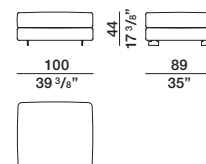
PF10/70



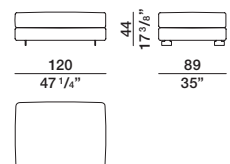
PF8/89



PF10/89



PF12/89



back rest cushion

CS48



additional cushions

CU40/40



CU50/40



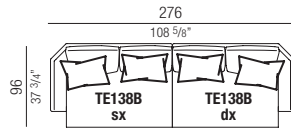
DATASHEET

REGISTERED
DESIGN

IX.2021

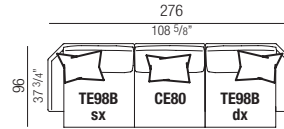
SAMPLE COMPOSITIONS

composition 1
end element TE138B sx
end element TE138B dx



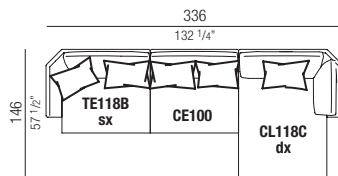
C01

composition 2
end element TE98B sx
central element CE80
end element TE98B dx



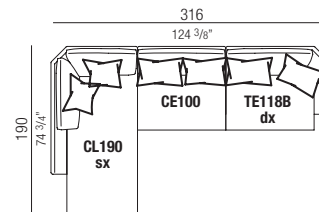
C02

composition 3
end element TE118B sx
central element CE100
chaise longue CL118C dx



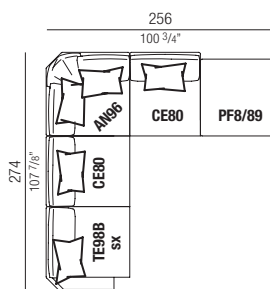
C03

composition 4
chaise longue CL190 sx
central element CE100
end element TE118B dx



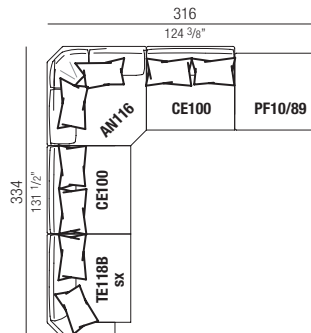
C04

composition 5
end element TE98B sx
n. 2 central elements CE80
corner element AN96
pouf PF8/89



C05

composition 6
end element TE118B sx
n. 2 central elements CE100
corner element AN116
pouf PF10/89



C06

Molteni & C

5—
5

code	gross weight kg.	volume mc.	packages	code	gross weight kg.	volume mc.	packages
PF8/89	26,5	0,371	1	CL118A	58	1,453	1
PF10/70	24,5	0,367	1	CL118B	56	1,453	1
PF10/89	28	0,464	1	CL118C	57,5	1,453	1
PF12/89	30	0,556	1	CL190	63	0,955	1
AN96	47	0,927	1	TE98A	44	0,899	1
AN116	58	1,381	1	TE98B	42	0,899	1
CE80	35	0,755	1	TE118A	51	1,049	1
CE100	41	0,906	1	TE118B	49	1,049	1
CE120	46	1,057	1	TE138A	52	1,193	1
CL98A	51	1,232	1	TE138B	50	1,193	1
CL98B	49	1,232	1				

DATASHEET

REGISTERED
DESIGN

IX.2021