

Molteni & C

CAMDEN — RODOLFO DORDONI 2017

1—
3



The Camden seating collection, which includes sofas with backrests of different heights and chaise longue features a simple design. The dimensions are suitable for public spaces and there is a wide range of finishes mid way between home and contract. It features advanced technology: pressure die cast aluminium frames, foamed at differentiated heights and with hi-tech, aesthetically appealing textiles. The defining mark of the base balances the fluid lines of the backrests to blend ergonomics and elegance to create elegant, essential chairs. Camden is distinguished for its versatility: suitable for creating a cosy corner in a larger living room or outlining a special space for relaxing, ideal for furnishing spaces that are open to the public and meeting places or gathering places to lend aesthetic taste and functionality to all types of environments.



This symbol shows that the product has removable upholstery. Only qualified personnel can remove the upholstery of some of our products. If this information is pertinent, it will be included in the warnings section.



This symbol shows that the product is available on request in a fire resistant version that complies with the standards BS 5852 and TB 117-2013. The buyer is responsible for checking to make sure that the product is suitable and compliant with the requirements for the designated use and the current applicable laws and standards for the destination and use of the product.

DATASHEET

REGISTERED
DESIGN

IX.2021

FINISHES

STRUCTURE AND BASE FINISH
pewter colour

TECHNICAL INFORMATION

BASE

Aluminium painted in pewter colour set on plastic floor slides.

SEAT (SOFAS AND POUF)

Internal structure is a solid firwood (Picea abies) frame and chipboard, with elastic straps. Padding in variable density high-resistance foam polyurethane. Light velvet cover.

BACKREST (MODELS WITH LOW BACKREST)

Internal structure in Polimex (a composite polyester/polyurethane material) covered with high performance variable density polyurethane foam. Cover in bonded velveteen.

BACKREST (MODELS WITH HIGH BACKREST)

Metal frame with elastic bands. Flexible cold moulded polyurethane foam. Cover in bonded velveteen with resin coated side.

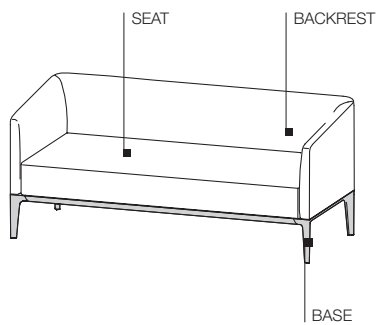
REMOVABLE OUTER COVERS

(See attached card, specific for each cover).

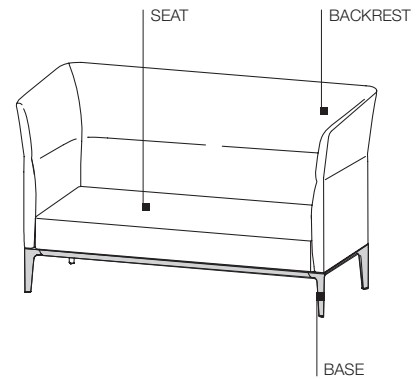


AVAILABLE IN FIRE-RESISTANT
VERSION TB117 AND BS5852

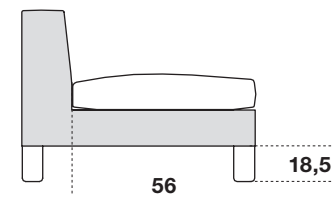
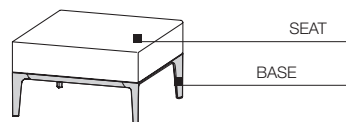
LOW BACKREST SOFAS



HIGH BACKREST SOFAS



POUF



Seat depth for structure only, 56 cm
Feet high 18,5 cm (from ground to under seat)

DATASHEET

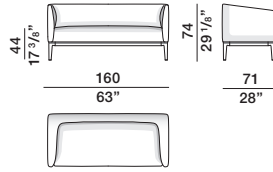
REGISTERED
DESIGN

IX.2021

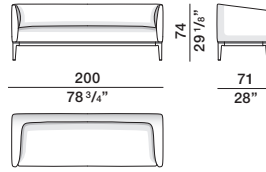
DIMENSIONS

low sofas

DB160

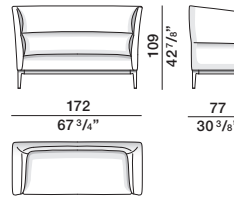


DB200

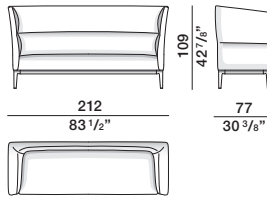


high sofas

DA160

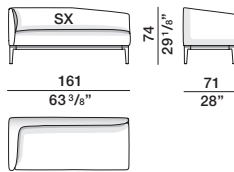


DA200



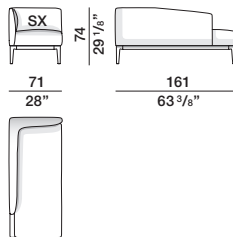
end element

TE161 dx-sx



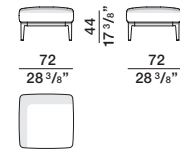
chaise longue

CL161 dx-sx



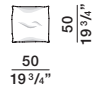
pouf

PF7/70



single cushion

CU/50



code	gross weight kg.	volume mc.	packages	code	gross weight kg.	volume mc.	packages
DB160	55	1,204	1	TE161	53,5	1,145	1
DB200	71,3	1,56	1	CL161	51	1,197	1
DA160	70	1,824	1	PF7/70	23,6	0,55	1
DA200	85,5	1,63	1				

Molteni & C

3
3

DATASHEET

REGISTERED
DESIGN

IX.2021