

Molteni & C

EUSTON — RODOLFO DORDONI 2018

1—
3



A new collection of poufs with a simple but sophisticated design. Two different and complementary versions, both featuring generous and rigorous geometric shapes, enriched by the elegant backstitched seat. A raised version in which the seat is supported by a pewter-finish metallic base. Or the more reassuring geometry of the floor version, embellished by an almost invisible pewter-finish metal frame. Two different dimensions for both the designs, to meet the multiple requirements of contemporary furnishing.



This symbol shows that the product has removable upholstery. Only qualified personnel can remove the upholstery of some of our products. If this information is pertinent, it will be included in the warnings section.



This symbol shows that the product is available on request in a fire resistant version that complies with the standards BS 5852 and TB 117-2013. The buyer is responsible for checking to make sure that the product is suitable and compliant with the requirements for the designated use and the current applicable laws and standards for the destination and use of the product.

DATASHEET

REGISTERED
DESIGN

IX.2021

moltenigroup.com

Dimensions in centimeters and inches. The right to discontinue and make changes is reserved. This information is based on the latest product information available at the time of printing.

FINISHES

STRUCTURE FINISH
pewter colour

TECHNICAL INFORMATION

STRUCTURE INTERIOR

Frame made of solid Fir (Picea abies) and chipboard, with elastic straps.

STRUCTURE PADDING

High capacity variable density foam polyurethane. Light velvet cover.

BASE

In painted aluminum with non-slip plastic tips.

OUTER COVER REMOVABLE BY EXPERT PERSONNEL

(See attached card, specifically for the cover).

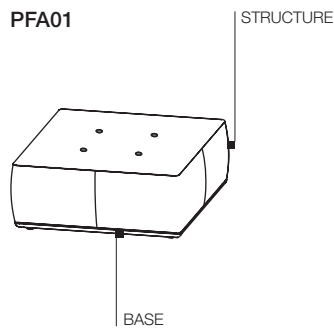


OUTER COVER
REMOVABLE BY
EXPERT PERSONNEL

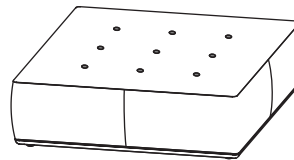


AVAILABLE IN FIRE-RESISTANT
VERSION TB117 AND BS5852

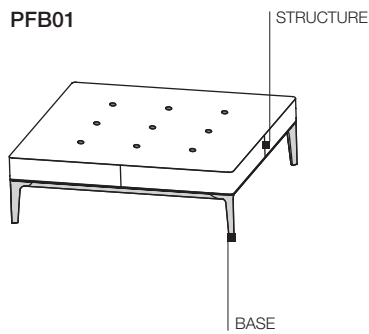
PFA01



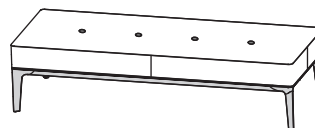
PFA02



PFB01



PFB02



DATASHEET

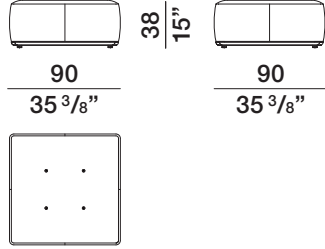
REGISTERED
DESIGN

IX.2021

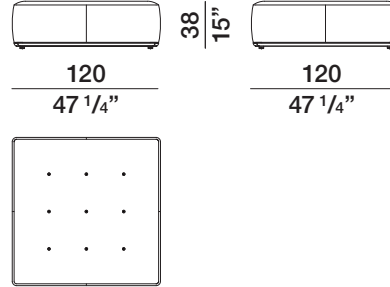
DIMENSIONS

pouf

PFA01

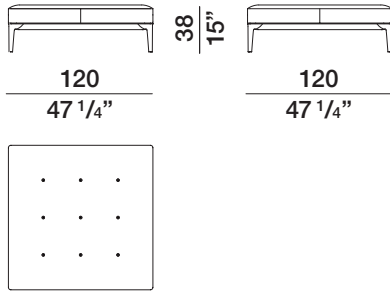


PFA02

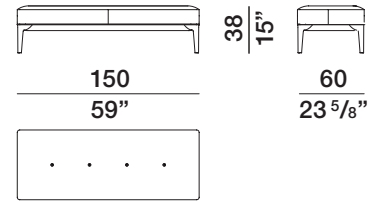


pouf

PFB01



PFB02



code	gross weight kg.	volume mc.	packages	code	gross weight kg.	volume mc.	packages
PFA01	32	0,418	1	PFB01	41,5	0,696	1
PFA02	44	0,803	1	PFB02	31	0,512	1