

Molteni & C

IRVING — VINCENT VAN DUYSSEN 2019

1—
4



A precise, striking design for Irving, a small system for the living and dining area, composed of tall and low storage units. The shaped metal foot, which distinguishes some of VVD's successful designs, is used here as a visible structural element to define the architecture of the storage units; moving up to the top, it frames the open compartments, closed by doors or with Eco Skin-covered drawers. The thick marble or wood top completes this small domestic architecture.

DATASHEET

REGISTERED
DESIGN

IX.2019

FINISHES

FEET

zinc paint
pewter colour paint

TOP AND CABINET (STRUCTURE AND DOORS)

eucalyptus
walnut

MARBLE TOP

orient grey (advisable for pairings with eucalyptus)
calacatta gold (advisable for pairings with walnut)

ECO SKIN TRAYS AND BOTTOMS

Dark brown Eco Skin

NOTES

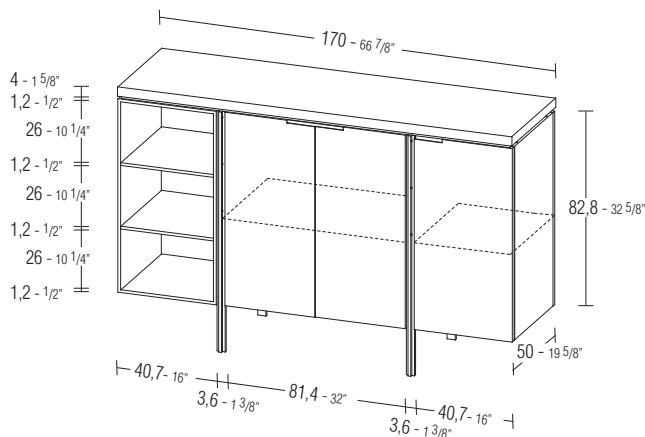
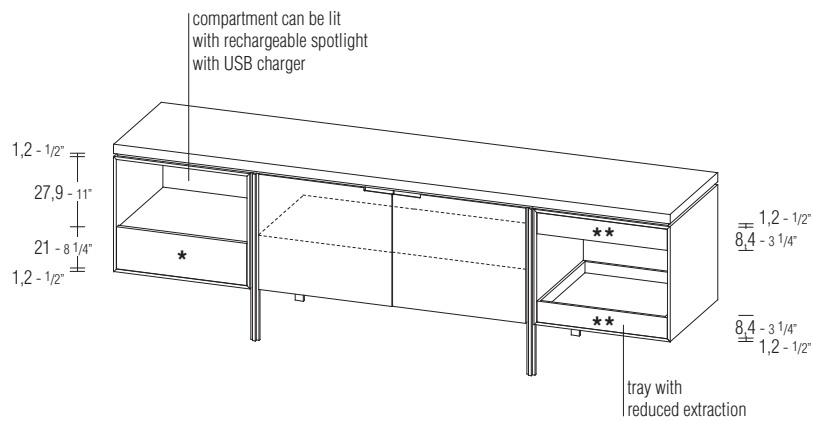
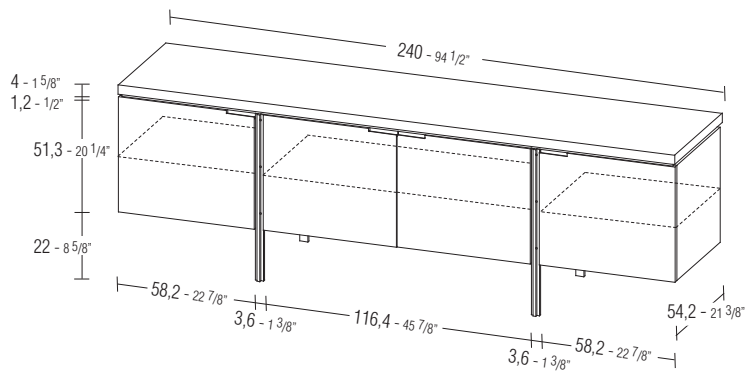
► The drawer and trays can be accessorised with Eco Skin bottom.

* Eco Skin front, interior in saffiano grey

** Eco Skin tray with saffiano grey bottom

Molteni & C

2—
4



DATASHEET

REGISTERED
DESIGN

IX.2019

TECHNICAL INFORMATION

CABINET STRUCTURE WITH DOORS AND WITH OPEN COMPARTMENT

Chipboard panel covered with wood veneer in eucalyptus (*Eucalyptus Globulus*) or walnut (*Juglans nigra*).

DOORS

Chipboard panel with solid linden (*Tilia Platyphyllos*) for handle, covered with wood veneer in eucalyptus (*Eucalyptus Globulus*) or walnut (*Juglans Nigra*).

STRUCTURAL SIDE

Chipboard panel covered with melamine facing with legs in painted extruded aluminium.

MARBLE TOP

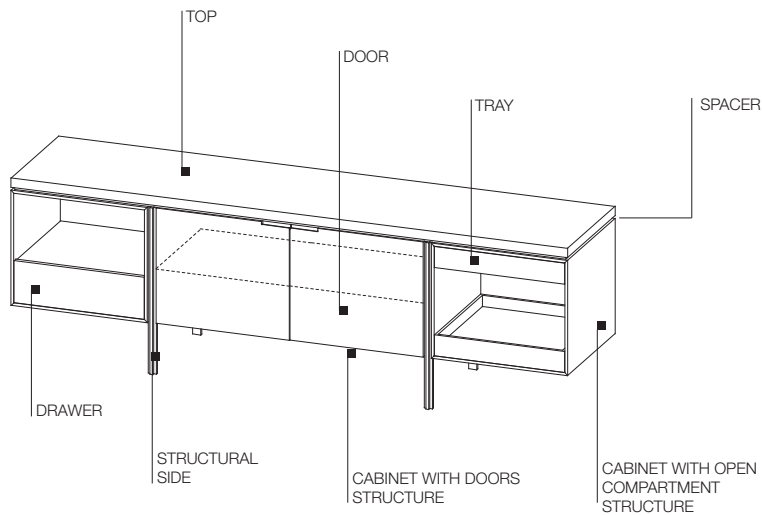
Pieced marble in the specific finishes for the product with internal melamine-faced chipboard support panel.

SPACER

Chipboard panel covered in melamine facing and edge in eucalyptus wood (*Eucalyptus Globulus*) veneer or walnut (*Juglans Nigra*).

DRAWER AND TRAY

Chipboard panel covered with melamine facing.
Parts covered in artificial leather.



DATASHEET

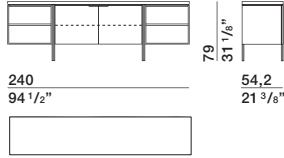
REGISTERED
DESIGN

IX.2019

DIMENSIONS

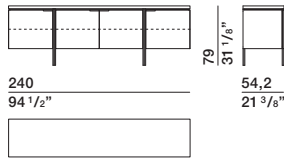
low cupboard

MI08/24A

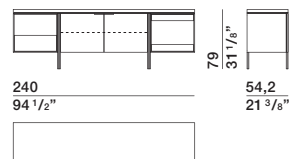


low cupboards

MI08/24C

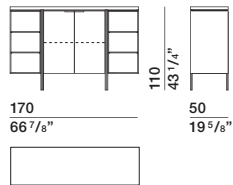


MI08/24D

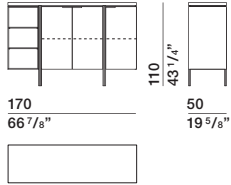


tall cupboards

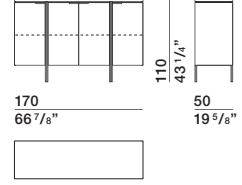
MI11/17A



MI11/17B



MI11/17C



accessories

USB or magnetic
rechargeable spotlight



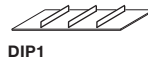
EF1

Eco Skin bottom
dark brown



CEQ1

partition
for flatware
(for upper tray)



DIP1

DATASHEET

REGISTERED
DESIGN

IX.2019