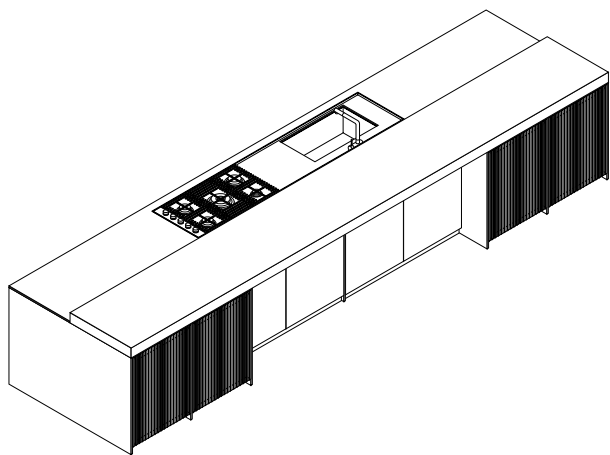


Molteni & C

RATIO

VINCENT VAN DUYSSEN, 2019



FINITURE

Island

black oak doors with pewter handle profile, Stripe base unit doors with internal lighting, pewter metal lacquered additional and side panels, black lava stone top th. 90mm, stainless steel top th. 6mm, pewter skirting

Atelier open columns

black oak structure with integrated led light on both sides, extra clear glass shelves, black glass holder and bottle racks

Technical columns 2.0

slate Hybrid lacquered pull-out doors, pewter Outline vertical handles, backlit lid, black oak inner Ratio base with pewter profile, black lava stone top th. 90mm, pewter Wing lighting shelves, pewter skirting



PLUSES

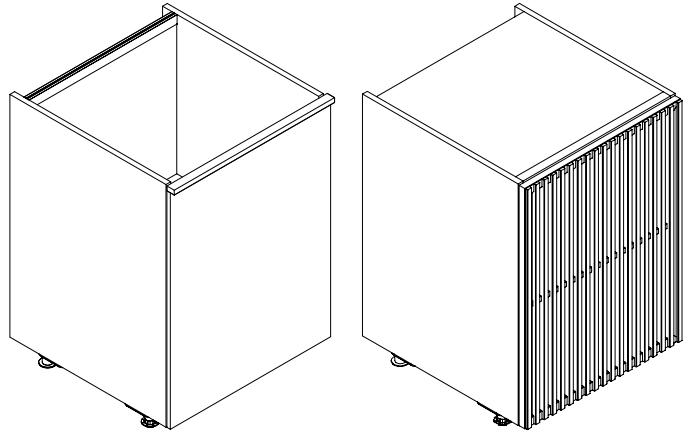
- Design by Vincent Van Duysen
- A kitchen that takes centre stage in any space
- Strong architectural identity
- Interplay of different surface textures
- Formal austerity
- Unique and highly recognizable design
- Balance between solid and empty volumes

Molteni & C

Handle opening kitchen



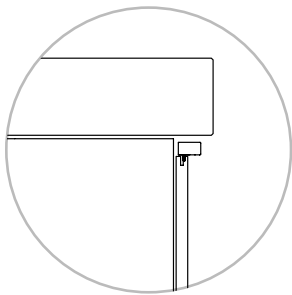
- H. unit structure = 801 mm
- H. door = 797 mm
- H. kitchen with 60 mm skirting = 861 mm
- H. kitchen with 100 mm skirting = 901 mm
- TH. door panel 13 mm
(aluminium + stratificated MDF)
- TH. handle profile 28 mm
- TH. slated door 30 mm
- D. Base = 331-595-745mm



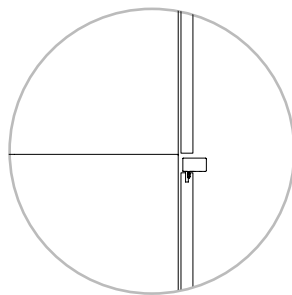
Door with handle profile

The patented 13 mm ultra-thin door is the pivotal element of the structure. Ratio perfectly blends horizontal and vertical elements that enclose and define the doors, giving them a distinct look. This design is also available with a new handle option featuring a bronze or zinc finish.

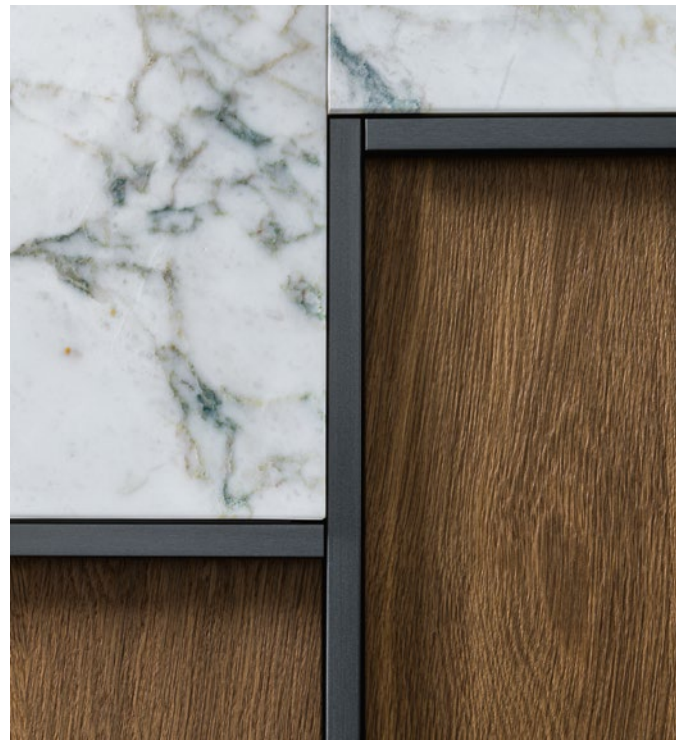
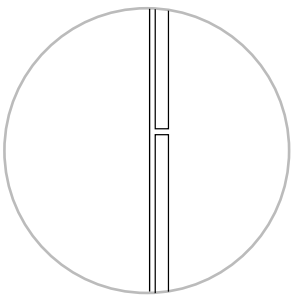
A
First front opening on top



B
Option with handle



C
Option with manual or electric push-pull

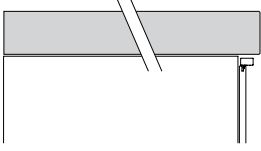


2-
8

Molteni & C

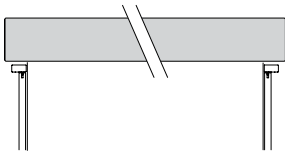
Top

Door th 13 mm



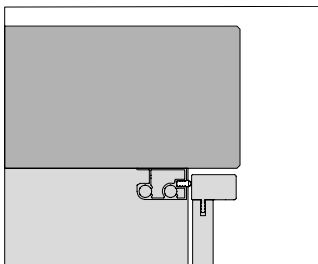
Wall composition

structure	top
331	364
595	628
745	778



Island

structure	top
595	661
331 + 595	992
595 + 595	1156
745	811
745 + 331	1142



th. 90 mm



FINISHES

Stones
Silestone
Dekton
Materia
Ceramic



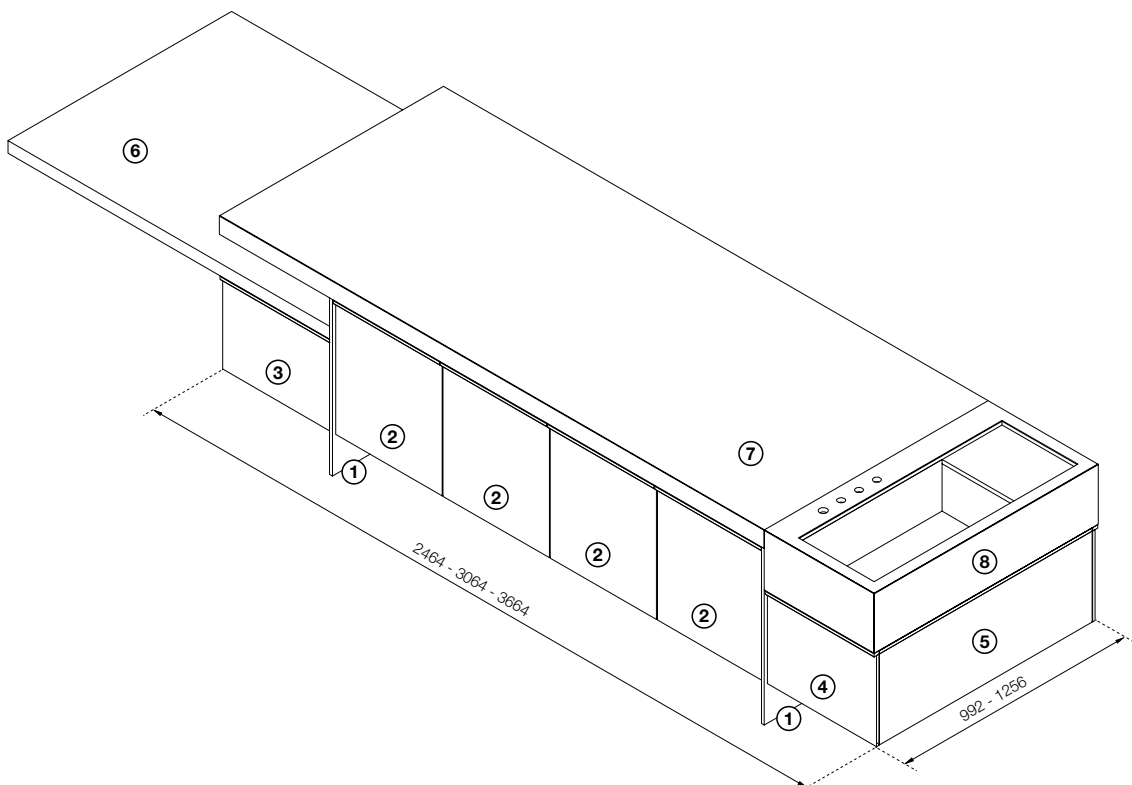
3-
8

Molteni & C

Island

Vincent Van Duysen proposes an island solution with furniture and accessories designed to satisfy the most discerning and sophisticated user. In addition, snack counters and innovative washing and cooking solutions are seamlessly integrated into the design.

1. Load bearing structure with bridge sides
2. Central base units H 631 mm
3. Terminal base units H 431 mm
4. Terminal sink base units H 431 mm
5. Additional end panels
6. Snack table th 62 mm
7. Worktop th 90 mm overhanging on snack
8. Ratio sink

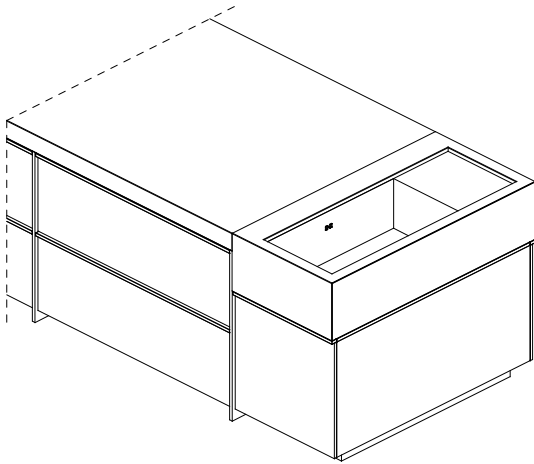


Molteni & C

Ratio sink

The Ratio sink was designed for the homonymous kitchen. It is placed at the head of the island. It must be used only for dedicated end bases.

- available in two sizes: W 992 / W 1256
- silestone, materia, dektion, ceramic, marble/granite/stone finishes
- drainer available for left or right positioning



Molteni & C

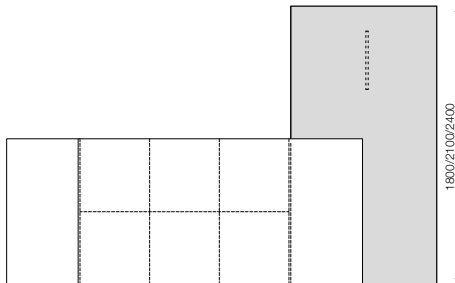
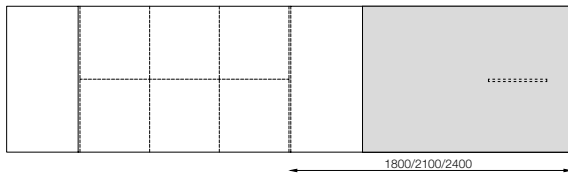
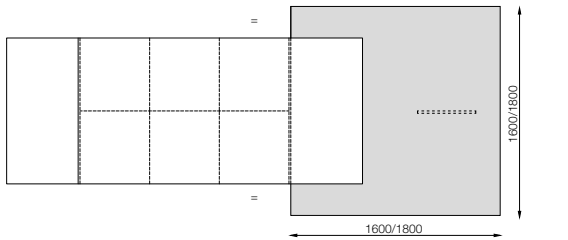
Dine snack table

- Snack table th 62 mm
- Available in the range of wood finishes
- Snack table can be fixed perpendicular or aligned to the main island

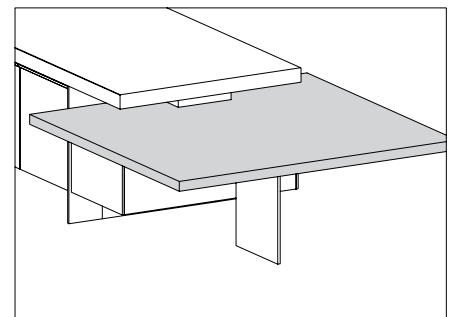
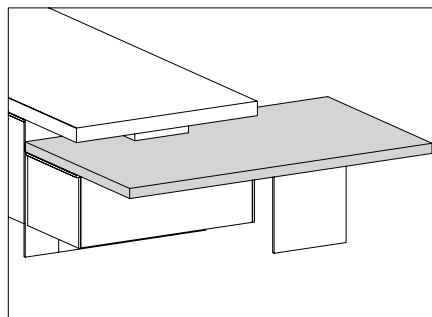
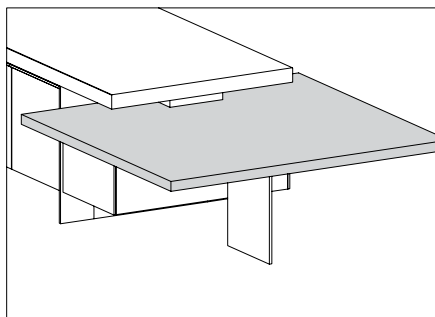


WORKTOP FINISH
Wood

STRUCTURE FINISH
Wood



6-
8



Molteni & C

Doors finishes

LO, LL

LACQUERED | LACCATI

WHITE BIANCO	CHALK WHITE BIANCO CALCE	PEARL PERLA
SILICA SILICE	SAND SABBIA	DUNE DUNA
LIGHT GREY GRIGIO CHIARO	DOVE GREY TORTORA	PLATINUM PLATINO
CLAY ARGILLA	DOLOMITE	LEAD PIOMBO
MOKA	LIGHT BLUE GREY CARTA DA ZUCCHERO	MUSTARD SENAPE
ANTHRACITE ANTRACITE	BLACK NERO	COPPER RAME
LONDON SKY	STARDUST	MOONLIGHT
SPICE	PINE GREEN	ALMOND WHITE

LOS

SPECIAL METALLIZED LACQUERED | LACCATI SPECIALI METALLIZZATI

GOLD ORO	IRIS	PEWTER PELTRO
BRONZE BRONZO		

LSH

HYBRID LACQUERED | LACCATI HYBRID

METAL HYBRID BRONZE METALLIZZATO BRONZO HYBRID	METAL HYBRID SLATE METALLIZZATO ARDESIA HYBRID
---	---

ES

WOODS | ESSENZE

SUNRISE OAK ROVERE SUNRISE	WALNUT NOCE	EUCALYPTUS EUCALIPTO
GRAPHITE OAK ROVERE GRAFITE	DARK WALNUT NOCE SCURO	BLACK OAK ROVERE NERO
THERMO OAK ROVERE TERMO	DARK PALM PALMA SCURO	LIGHT ELM OLMO CHIARO
DARK ELM OLMO SCURO		

ESR

RAYS

SUNRISE OAK ROVERE SUNRISE	WALNUT NOCE	EUCALYPTUS EUCALIPTO
GRAPHITE OAK ROVERE GRAFITE	THERMO OAK ROVERE THERMO	DARK WALNUT NOCE SCURO
BLACK OAK ROVERE NERO		