

Molteni & C

45°/VETRINA — RON GILAD 2013

1—
2



A showcase designed to display and contain precious objects and books. The result is a transparent solid that invites the gaze to linger on its contents. The shelves are rotated and bevelled, creating a displacement from a 90 ° angle to 45 ° without edges. Geometrically rotating surfaces that create 45° smoothed edges achieved by using a metal joint onto which aluminum profiles are hooked, veneered with precious wood types. The opening is totally invisible with the exception of a small key on the lateral profile.

DATASHEET

REGISTERED
DESIGN

IX.2021

FINISHES

Profiles wooden finishes

American walnut - black oak

Internal glass shelves finishes

clear glass

TECHNICAL INFORMATION

WOOD BASE

Multi-layer beech panel covered with American Walnut (*Juglans nigra*) or Oak (*Quercus*) veneer.

PERIMETER STRUCTURE AND DOOR PROFILES

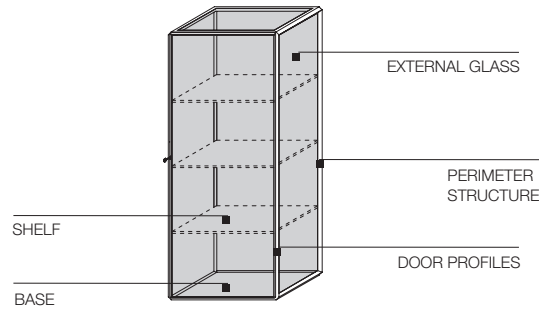
Extruded aluminium profile covered with American Walnut (*Juglans nigra*) or Oak (*Quercus*) veneer.

EXTERNAL GLASS

Tempered transparent extra-light glass, th. 4 mm.

INTERNAL SHELVES

Tempered transparent extra-light glass, th. 8 mm.

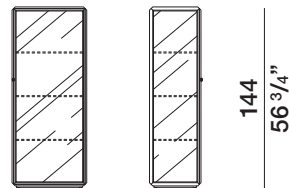


DIMENSIONS

Notes

The 3 internal shelves are compulsory

**GVA6/14
with door**

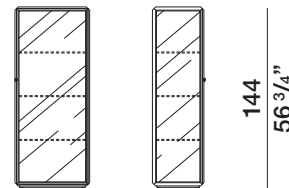


59,5
23 3/8"

41
16 1/8"

144
56 3/4"

**GVA6/14K
with door and LED light**



59,5
23 3/8"

41
16 1/8"

144
56 3/4"



glass shelf

GVR16



DATASHEET

REGISTERED
DESIGN

IX.2021