

# Molteni & C

## ALLURE — MATTEO NUNZIATI 2013

1—  
2



The Allure armchair is the result of a search of balance and proportion between component parts. The result is a sinuous, clean and sophisticated, though discreet, line with slender profiles and decisive lines. The armchair's limited size and finishings make it suitable for both home use and for furnishing common spaces in hotels, suites or serviced apartments.



This symbol shows that the product has removable upholstery. Only qualified personnel can remove the upholstery of some of our products. If this information is pertinent, it will be included in the warnings section.



This symbol shows that the product is available on request in a fire resistant version that complies with the standards BS 5852 and TB 117-2013. The buyer is responsible for checking to make sure that the product is suitable and compliant with the requirements for the designated use and the current applicable laws and standards for the destination and use of the product.

**DATASHEET**

REGISTERED  
DESIGN

IX.2021

**moltenigroup.com**

Dimensions in centimeters and inches. The right to discontinue and make changes is reserved. This information is based on the latest product information available at the time of printing.

## FINISHES

black painted structure with black armrest cover.  
**white or black zip as selected by the client.**

## TECHNICAL INFORMATION

### STRUCTURE

Bent and welded steel painted in matt black.

### BODY

Metallic framework with elastic straps with upholstery in flexible polyurethane, covered in cold moulded foam.  
Cover in double-layer velveteen.

### ARMREST COVERS

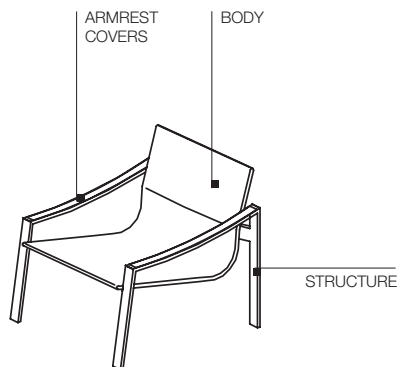
Extra leather (non-removable).

### REMOVABLE OUTER COVERS

(See attached card, specific for each cover).



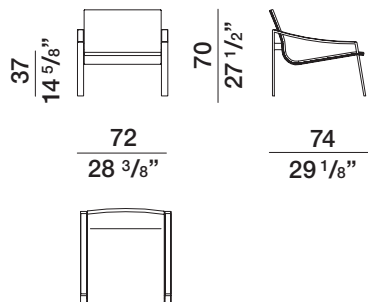
AVAILABLE IN FIRE-RESISTANT  
VERSION TB117 AND BS5852



## DIMENSIONS

### armchair

### APO1



## DATASHEET

REGISTERED  
DESIGN

IX.2021

code	gross weight kg.	volume mc.	packages
AP01	26	0,551	1