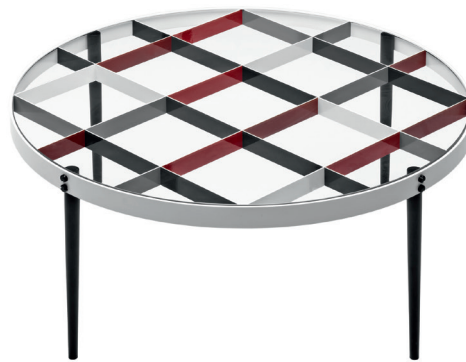


# Molteni & C

## D.555.1 SMALL TABLE — GIO PONTI 1954-55 / 2012

1—  
2



From Gio Ponti's house, located in via Dezza in Milan, the small table D.555.1, designed in 1954-1955, is produced by Molteni&C based on the original drawings from the Gio Ponti Archives. Metal hand painted structure and glass top.

### DATASHEET

REGISTERED  
DESIGN

IX.2021

D.555.1  
SMALL TABLE—  
GIO PONTI  
1954-55 / 2012

## FINISHES

Metal legs.  
Grid is hand painted in different colours.  
The top is made of transparent glass.

# Molteni & C

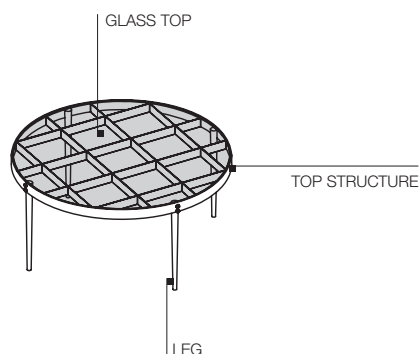
## TECHNICAL INFORMATION

TOP STRUCTURE  
Grid in hand painted steel.

GLASS TOP  
Tempered glass thickness 5 mm transparent extra light.

LEG  
In painted steel with plastic for floor placement.

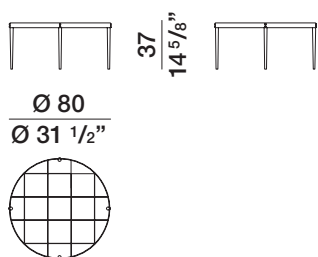
2—  
2



## DIMENSIONS

small table

D.555.1



DATASHEET

REGISTERED  
DESIGN

IX.2021

[moltenigroup.com](http://moltenigroup.com)

Dimensions in centimeters and inches. The right to discontinue and make changes is reserved. This information is based on the latest product information available at the time of printing.