

Molteni & C

ANTON — VINCENT VAN DUYSSEN 2017

1—
4



A bed that perfectly expresses Vincent Van Duysen's design philosophy, where essentiality and carefully chosen materials achieve a perfect synthesis. Delicate but clean lines for a harmonious aesthetic balance, the result of reducing anything superfluous. Volumes which are emphasized thanks to a particular type of stitching used for the head board, the capitoné, revised in a contemporary way. Feet finished in pewter colour. Upholstery that can be completely detachable in the Molteni&C range of leather and textiles. Anton can be combined with a bench with identical frame finishings and matching upholstery.

In case of customer slatted base and/or mattress, check the correspondence of the measurements with the standard ones in the price list.



This symbol shows that the product has removable upholstery. Only qualified personnel can remove the upholstery of some of our products. If this information is pertinent, it will be included in the warnings section.



This symbol shows that the product is available on request in a fire resistant version that complies with the standards BS 5852 and TB 117-2013. The buyer is responsible for checking to make sure that the product is suitable and compliant with the requirements for the designated use and the current applicable laws and standards for the destination and use of the product.

DATASHEET

REGISTERED
DESIGN

2026

moltenigroup.com

Dimensions in centimeters and inches. The right to discontinue and make changes is reserved. This information is based on the latest product information available at the time of printing.

FINISHES

FEET AND BASE FINISH

pewter colour

TECHNICAL INFORMATION

HEADBOARD

Structure in veneer with foam rubber padding in varying densities. Velour cover.

BED SURROUND

Structure in solid and multi-layer wood with moulded polyurethane padding and velour cover.

FEET

Painted steel with floor slides in non-slip plastic.

REMOVABLE OUTER COVERS

(See attached card, specific for each cover).

MATTRESS-BASE SPACER

Plastic.

BENCH STRUCTURE

In steel with feet in non-slip plastic.

BENCH SEAT

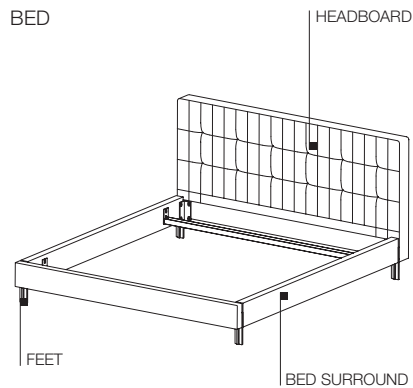
Structure in plywood with shaped polyurethane padding and and velour cover.

REMOVABLE OUTER COVERS

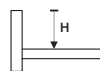
(See attached card, specific for each cover).



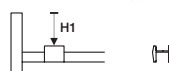
AVAILABLE IN FIRE-RESISTANT
VERSION TB117 AND BS5852



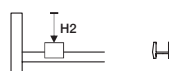
WITHOUT SPACER



WITH SPACER (1)



WITH SPACER (2)



MATTRESS-
BASE SPACER

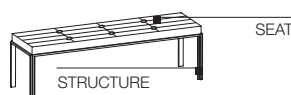
Matress-base height adjustment

without spacer H 10,5

with spacer (1) H1 8,5

with spacer (2) H2 6,5

BENCHES



DATASHEET

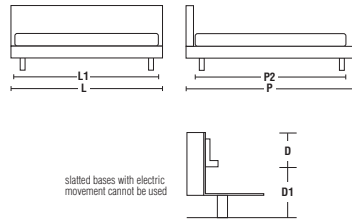
REGISTERED
DESIGN

2026

DIMENSIONS

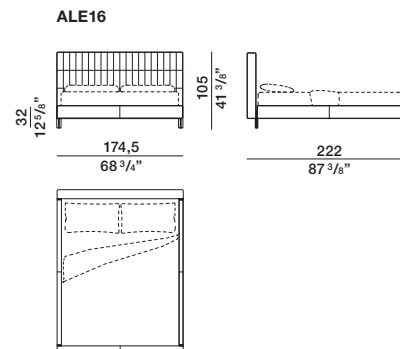
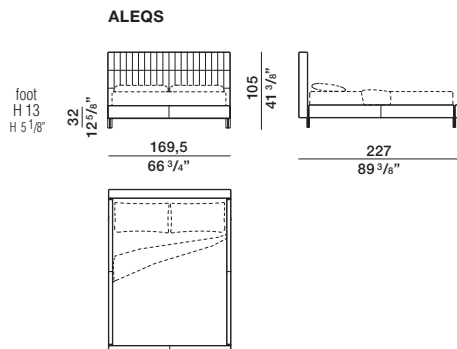
Notes

- ▶ Slatted bases with electric movement cannot be used.
- ▶ Depth of 211 cm (83") (inner measurement) is also available on ALE16 - ALE17 - ALE18 - ALE20.

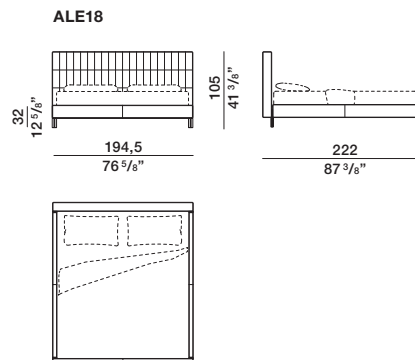
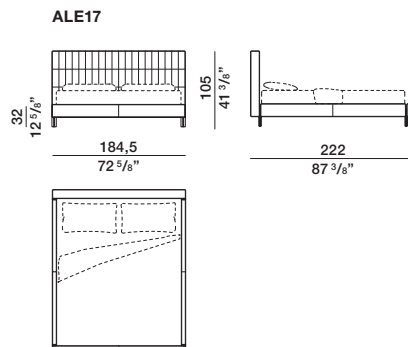


	INNER DIMENSIONS		OUTER DIMENSIONS		D / D1 Space for insertion of the slatted base
	L1 Width	P2 Length	L Width	P Length	
ALEQS	155 61"	206 81 1/8"	169,5 66 3/4"	227 89 3/8"	
ALE16	160 63"	201 79 1/8" <small>standard model *</small>	174,5 68 3/4"	222 87 3/8" <small>standard model *</small>	6,5 / 26
ALE17	170 66 7/8"	201 79 1/8" <small>standard model *</small>	184,5 72 5/8"	222 87 3/8" <small>standard model *</small>	2 1/2" / 10 1/4"
ALE18	180 70 7/8"	201 79 1/8" <small>standard model *</small>	194,5 76 5/8"	222 87 3/8" <small>standard model *</small>	8,5 / 24
ALE20	200 78 3/4"	201 79 1/8" <small>standard model *</small>	214,5 84 1/2"	222 87 3/8" <small>standard model *</small>	3 3/8" / 9 1/2"
ALEKS	195 76 3/4"	206 81 1/8"	209,5 82 1/2"	227 89 3/8"	10,5 / 22
		+ 211 on request 83"		* 232 on request 91 3/8"	4 1/8" / 8 5/8"

bed taking a single slatted base or 2 individual slatted bases



bed taking a single slatted base or 2 individual slatted bases



DATASHEET

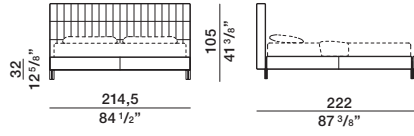
REGISTERED
DESIGN

2026

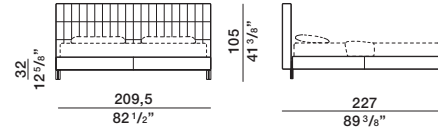
DIMENSIONS

bed taking a single slatted
base or
2 individual slatted bases

ALE20

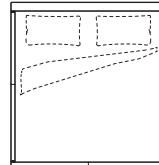
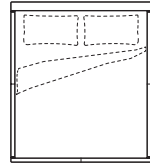


ALEKS



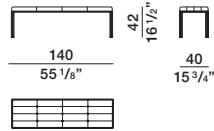
Molteni & C

4 —
4

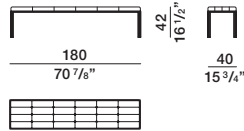


bench

APA01



APA02



DATASHEET

REGISTERED
DESIGN

2026