

Molteni & C

MHC.2 BOOKCASE — YASUHIKO ITOH 1959 / 2016

1—
2



MHC.2 is a re-edition of the bookcase prototype designed in 1959 by Yasuhiko Itoh. Made in curved wood, a complex process for that time period, it won an award at the 3rd edition of the Selettiva competition in Cantù del 1959. This piece is both elegant and refined. After issuing a limited edition run of 100 numbered pieces, this item is now available as a standard, non-numbered piece in curved wood covered in walnut.

Terza mostra selettiva - Concorso internazionale del mobile 1959

DATASHEET

REGISTERED
DESIGN

IX.2020

moltenigroup.com

Dimensions in centimeters and inches. The right to discontinue and make changes is reserved. This information is based on the latest product information available at the time of printing.

FINISHES

Made entirely in curved wood with American walnut finish.

TECHNICAL INFORMATION

MODULE AND BASE

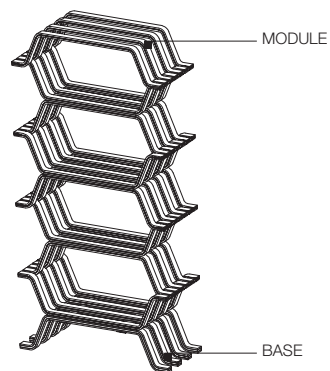
Slats made from curved moulded multilayer, made of veneer from poplar wood (*Populus alba*) and American walnut (*Juglans nigra*).

Side joint in solid American walnut wood.

Metal regulator under the base with ferrule in non-slip plastic material.

Molteni & C

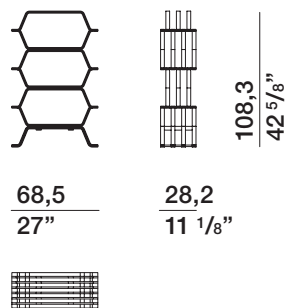
2—
2



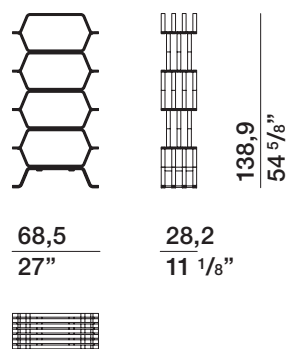
DIMENSIONS

bookcase

MHC.2/3



MHC.2/4



DATASHEET

REGISTERED
 DESIGN

IX.2020