

Molteni & C

NICK — LUCA NICHETTO 2015

1—
3



Its striking aesthetic balance is the result of the refined and perfectly proportioned design of the individual components. Distinctive sign of the strong personality of the designer who signed it. The chrome-plated metal structural elements give the project great lightness. Contrasting stitchings on headboard and surround highlight the elegant proportions of the bed. With a broad choice of textile and leather upholstery, this is an impressive piece of furniture ripe for customization.

DATASHEET

REGISTERED
DESIGN

IX.2019

FINISHES

COVERS

fabric - leather, completely removable.

FEET FINISHES

black chrome - pewter colour

Available in fire-resistant version (TB117 and BS5852).

Molteni & C

TECHNICAL INFORMATION

HEADBOARD

Frame in solid wood from the solid Fir (Picea Abies) and chipboard panels. Padding in high-capacity, variable density polyurethane foam. Light velvet cover.

BED SURROUND

Metal frame with polyurethane foam padding. Light velvet cover.

FEET

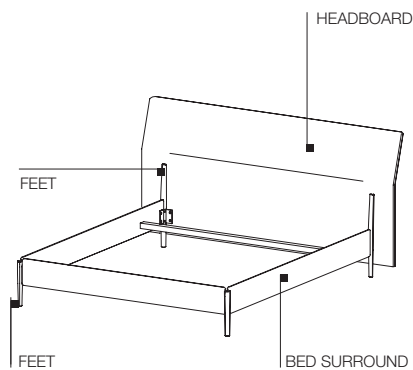
Pressure diecast aluminium with floor slides in non-slip plastic material.

REMOVABLE OUTER COVERS

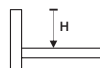
(See attached card, specific for each cover).

MATTRESS-BASE SPACER

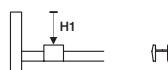
Plastic.



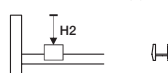
WITHOUT SPACER



WITH SPACER (1)



WITH SPACER (2)



Mattress-base height adjustment

without spacer H 10

with spacer (1) H1 8

with spacer (2) H2 6

DATASHEET

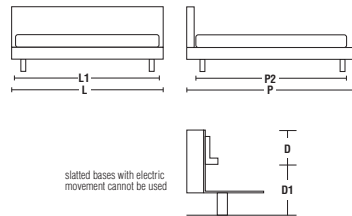
REGISTERED
DESIGN

IX.2019

DIMENSIONS

Notes

- ▶ Depth of 210 cm (82 3/4") (inner measurement) is also available on NLO16 - NLO17 - NLO18 - NLO20.
- ▶ Slatted bases with electric movement cannot be used.



	INNER DIMENSIONS		OUTER DIMENSIONS			D / D1 Space for insertion of the slatted base
	L1 Width	P2 Length	Bed base	L Total width	P Length	
NLO16	160 63"	200 78 3/4" standard model *	168 66 1/8"	200 78 3/4"	222 87 3/8" standard model *	6 / 31 2 3/8" / 9 1/4"
NLO17	170 66 7/8"	200 78 3/4" standard model *	178 70 1/8"	210 82 3/4"	222 87 3/8" standard model *	8 / 29 3 1/8" / 11 3/8"
NLO18	180 70 7/8"	200 78 3/4" standard model *	188 74"	220 86 5/8"	227 89 3/8" standard model *	10 / 27 3 7/8" / 10 5/8"
NLOKS	195,5 77"	205 80 3/4"	203,5 80 1/8"	235,5 92 3/4"	227 89 3/8"	
NLO20	200 78 3/4"	200 78 3/4" standard model *	208 81 7/8"	235,5 92 3/4"	222 87 3/8" standard model *	

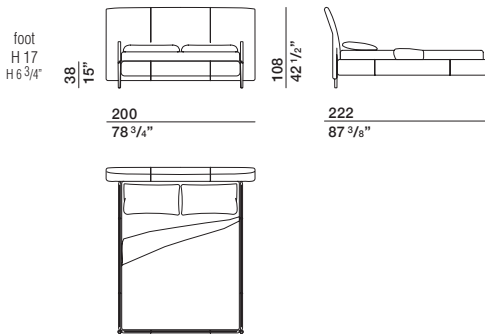
* 210 on request 82 3/4" * 232 on request 91 3/8"

Molteni & C

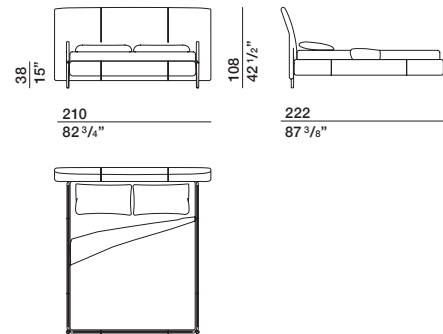
3—
3

bed taking a single slatted base or 2 individual slatted bases

NLO16

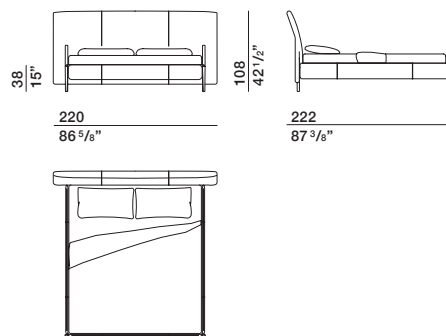


NLO17



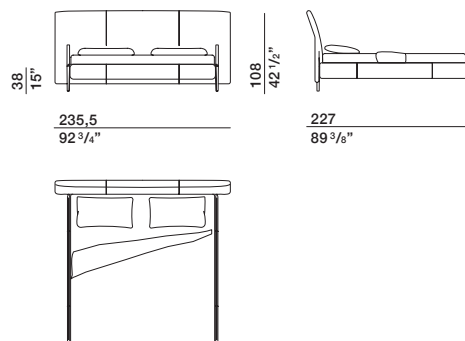
bed taking a single slatted base or 2 individual slatted bases

NLO18

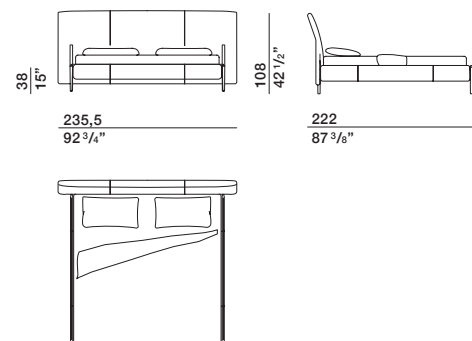


bed taking a single slatted base or 2 individual slatted bases

NLOKS



NLO20



DATASHEET

REGISTERED
DESIGN

IX.2019