

# Molteni & C

## ANTON — VINCENT VAN DUYSSEN 2017

1—  
4



A bed that perfectly expresses Vincent Van Duysen's design philosophy, where essentiality and carefully chosen materials achieve a perfect synthesis. Delicate but clean lines for a harmonious aesthetic balance, the result of reducing anything superfluous. Carefully studied details with delicate but clear lines transmit an impact of fascinating charm and evoke strong suggestions of a decisive, contemporary furnishing scheme; the seams delicately outline the proportions.

### DATASHEET

REGISTERED  
DESIGN

IX.2019

## FINISHES

### COVERS

fabric - leather, completely removable.

### FEET AND BASE FINISH

pewter colour

### WOODEN TOP BANCH APA03 FINISHES

eucalyptus - grey oak - graphite oak

Available in fire-resistant version (TB117 and BS5852).

# Molteni & C

## TECHNICAL INFORMATION

### HEADBOARD

Structure in veneer with foam rubber padding in varying densities. Velour cover.

### BED SURROUND

Structure in solid and multi-layer wood with moulded polyurethane padding and velour cover.

### FEET

Painted steel with floor slides in non-slip plastic.

### REMOVABLE OUTER COVERS

(See attached card, specific for each cover).

### MATTRESS-BASE SPACER

Plastic.

### BENCH STRUCTURE

In steel with feet in non-slip plastic.

### WOOD TOP

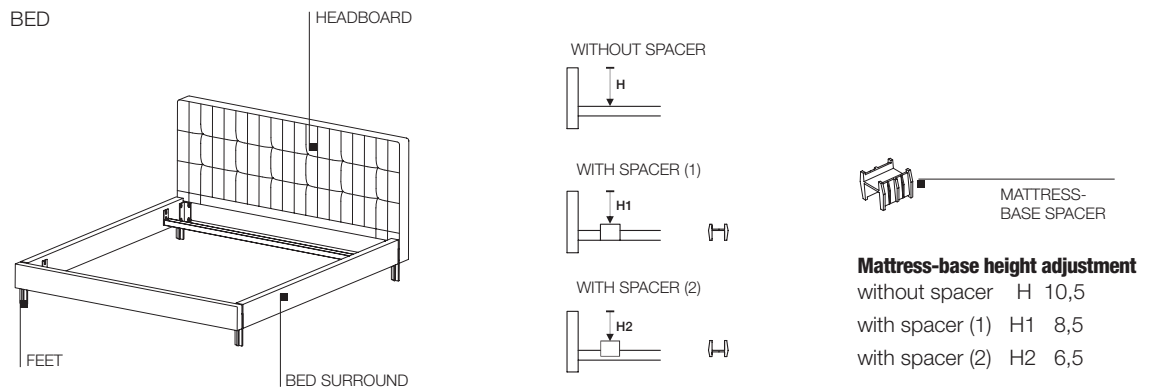
Chipboard panel covered with wood veneer in Eucalyptus (*Eucalyptus globulus*) or Oak (*Quercus*) painted in Molteni range colours.

### BENCH SEAT

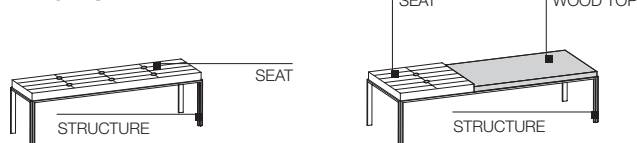
Structure in plywood with shaped polyurethane padding and and velour cover.

### REMOVABLE OUTER COVERS

(See attached card, specific for each cover).



### BENCHES



## DATASHEET

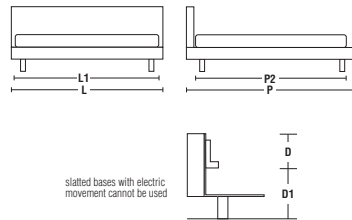
REGISTERED  
DESIGN

IX.2019

## DIMENSIONS

### Notes

- ▶ Slatted bases with electric movement cannot be used.
- ▶ Depth of 211 cm (83") (inner measurement) is also available on ALE16 - ALE17 - ALE18 - ALE20.

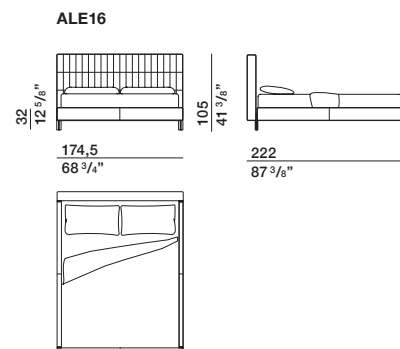
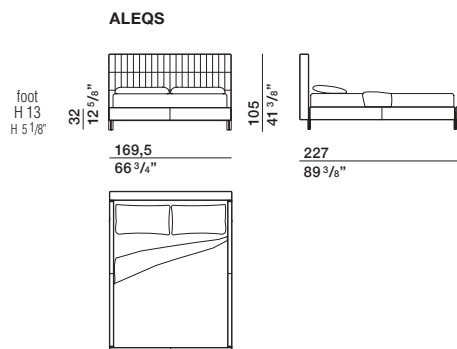


	INNER DIMENSIONS		OUTER DIMENSIONS		D / D1 Space for insertion of the slatted base
	L1 Width	P2 Length	L Width	P Length	
ALEQS	155 61"	206 81 1/8"	169,5 66 3/4"	227 89 3/8"	
ALE16	160 63"	201 79 1/8" <small>standard model *</small>	174,5 68 3/4"	222 87 3/8" <small>standard model *</small>	6,5 / 26 2 1/2" / 10 1/4"
ALE17	170 66 7/8"	201 79 1/8" <small>standard model *</small>	184,5 72 5/8"	222 87 3/8" <small>standard model *</small>	8,5 / 24 3 3/8" / 9 1/2"
ALE18	180 70 7/8"	201 79 1/8" <small>standard model *</small>	194,5 76 5/8"	222 87 3/8" <small>standard model *</small>	10,5 / 22 4 1/8" / 8 5/8"
ALE20	200 78 3/4"	201 79 1/8" <small>standard model *</small>	214,5 84 1/2"	222 87 3/8" <small>standard model *</small>	
ALEKS	195 76 3/4"	206 81 1/8"	209,5 82 1/2"	227 89 3/8"	
		* 211 on request 83"		* 232 on request 91 3/8"	

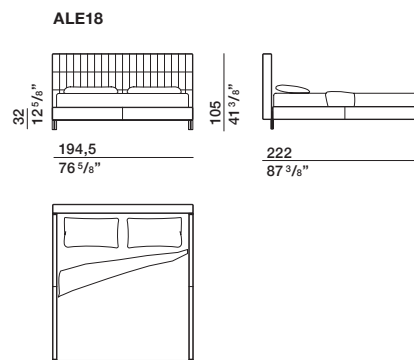
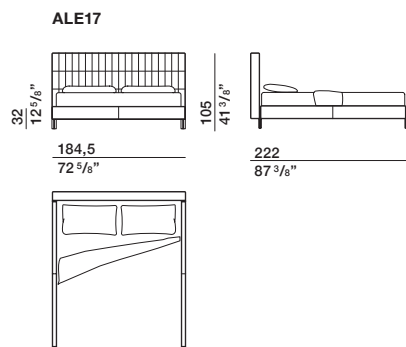
Molteni & C

3—  
4

### bed taking a single slatted base or 2 individual slatted bases



### bed taking a single slatted base or 2 individual slatted bases



### DATASHEET

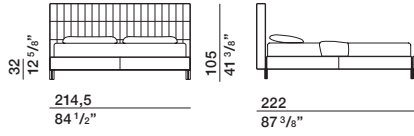
REGISTERED  
DESIGN

IX.2019

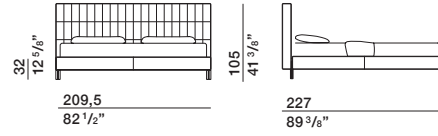
**DIMENSIONS**

**bed taking a single slatted  
base or  
2 individual slatted bases**

**ALE20**

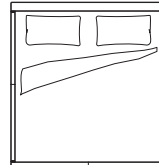
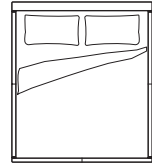


**ALEKS**



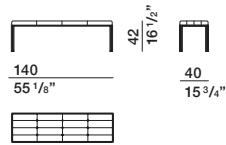
**Molteni & C**

4—  
4

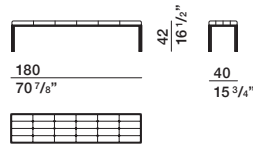


**bench**

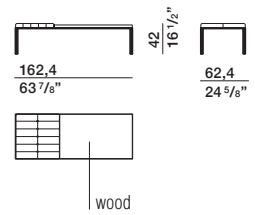
**APA01**



**APA02**



**APA03**



**DATASHEET**

REGISTERED  
DESIGN

IX.2019