

Molteni & C

SOL — CONSTANCE GUISSET 2012

1—
2



With her Sol rocking armchair, made entirely out of laser-cut aluminium sheets, shaped in a cold press and then arc-welded, the result obtained goes one step further. An airy and enveloping object of rare proportions where the optional use of an easily removable cover envisages differing situations, thanks to vibrantly coloured finishes and punched surfaces.

DATASHEET

REGISTERED
DESIGN

VII.2016

moltenigroup.com

Dimensions in millimeters and inches. The right to discontinue and make changes is reserved. This information is based on the latest product information available at the time of printing.

FINISHES

CUSHIONS COVERS

fabric, completely removable.

Available in fire-resistant version (TB117 and BS5852).

STRUCTURE FINISHES

yellow with white rubber - moon white with white rubber - blue with black rubber - titanium with black rubber

TECHNICAL INFORMATION

STRUCTURE

Laser-cut aluminium sheets, cold moulded and arc-welded. Texturized acrylic painting.

SEAT

Laser-cut aluminium sheets, bent and box-shaped. Texturized acrylic painting.

SEAT CUSHION

Upholstered with shaped polyurethane and polyester fibre padding. Shell in 100% cotton.

BACK CUSHION (OPTIONAL)

Support of plastic material, upholstered with shaped polyurethane and polyester fibre padding. Shell in 100% cotton.

PAIR OF EXTRA CUSHIONS (OPTIONAL)

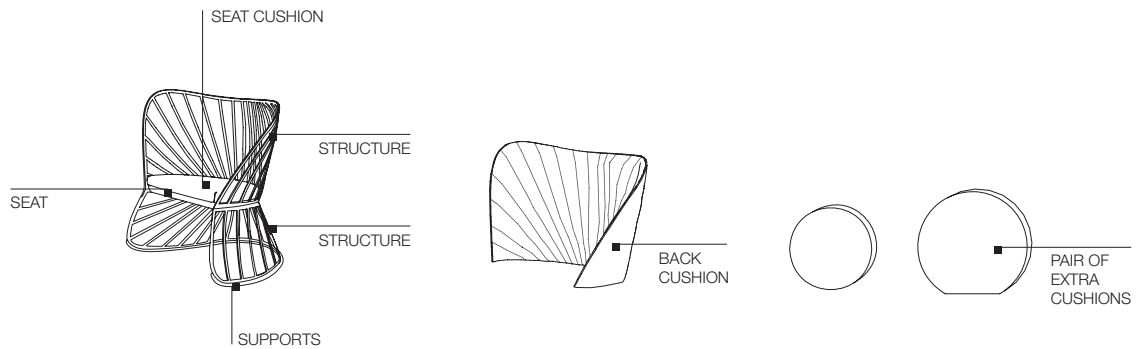
Upholstered with shaped polyurethane and polyester fibre padding. Shell in 100% cotton.

SUPPORTS

Plastic cushioning material with non-slip function.

REMOVABLE OUTER COVERS

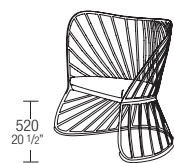
(See attached card, specific for each cover).



DIMENSIONS

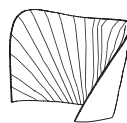
armchair with seat cushion

W 760 D 800 H 960
W 29 7/8" D 31 1/2" H 37 3/4"



SP01

back cushion



SCS1

pair of extra cushions

Ø 300 - 11 3/4"
Ø 400 - 15 3/4"



SCC1

DATASHEET

REGISTERED
DESIGN

VII.2016