

# Molteni & C

## PÉNÉLOPE — CHRISTOPHE DELCOURT 2025

1—  
3



The base of the Pénélope console features two opposing, curved structures with plastic and harmonious shapes that interlock, creating a sculptural effect reminiscent of the design of the Lise table. Made of rigid polyurethane, the shapes of the base can be finished with a high-gloss lacquered finish or covered with a sheet of polished steel. Above, a skillfully joined polymorphic top is available in marble with a glossy steel, iridium grey or iridium brown edge or in wood with a glossy lacquered edge. The edge finish is echoed in the base, creating a material continuity that gives the console a bold aesthetic with a strong visual presence.

### DATASHEET

REGISTERED  
DESIGN

2026

## FINISHES

### GLOSSY LACQUERED STRUCTURE AND EDGE WITH WOOD TOP

#### Glossy lacquered colours

forest green  
dark blue gray  
oz yellow  
burgundy red  
pewter colour  
cappuccino  
sand

#### Woods

coffee oak  
black oak  
sunrise oak  
amber oak

### STRUCTURE AND STEEL FRAME WITH STONE OR WOOD INSERT

#### Marbles (Cat. M1)

white carrara  
black marquina  
silver wave  
green alpine  
rain forest green

#### Marble (Cat. M7)

breccia capraia

#### Quartzite

avocadus green

#### Woods

coffee oak  
black oak  
sunrise oak  
amber oak

#### Structure and frame finishes

shiny steel  
iridium grey  
iridium brown

## TECHNICAL INFORMATION

### GLOSSY LACQUERED STRUCTURE AND EDGE WITH WOOD TOP VERSION

#### LEGS

Rigid polyurethane from mould painted with glossy lacquer with metal insert.

#### TOP SUPPORT

Painted steel sheet.

#### TOP

Medium-density fibreboard panel with black melamine underlay covered with Oak veneer (Quercus), glossy lacquered edge.

#### ADJUSTABLE FEET

Metal with non-slip plastic tips.

### STRUCTURE AND STEEL FRAME WITH STONE OR WOOD INSERT VERSION

#### LEGS

Rigid polyurethane from mould with metal insert painted on the inside part and covered with stainless steel sheets.

#### TOP SUPPORT

Painted steel sheet.

#### UNDERTOP

Black melamine medium density fibreboard panel.

#### INSERT

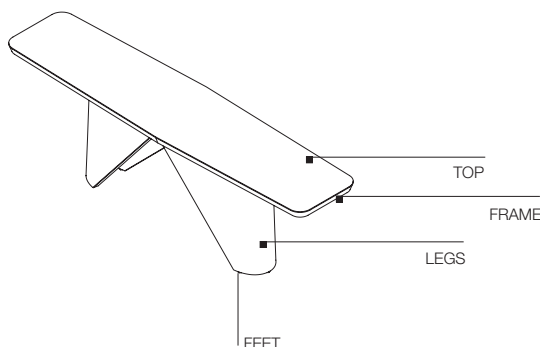
Stone or marble with stain resistant and water-repellent treatment or medium-density fibreboard panel covered with oak veneer (Quercus).

#### FRAME

Stainless steel.

#### ADJUSTABLE FEET

Metal with non-slip plastic tips.



## DATASHEET

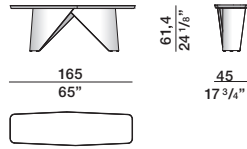
REGISTERED  
DESIGN

2026

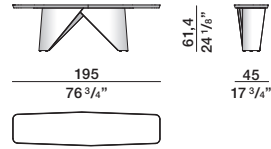
## DIMENSIONS

glossy lacquered structure and edge with wood top consoles

PC16/45



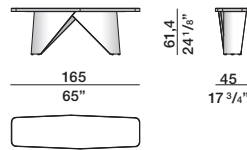
PC19/45



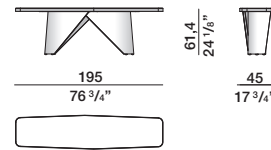
# Molteni & C

structure and shiny steel frame with stone or wood insert consoles

PC16/45



PC19/45



3—  
3

DATASHEET

REGISTERED  
DESIGN

2026

[moltenigroup.com](http://moltenigroup.com)

Dimensions in centimeters and inches. The right to discontinue and make changes is reserved. This information is based on the latest product information available at the time of printing.